

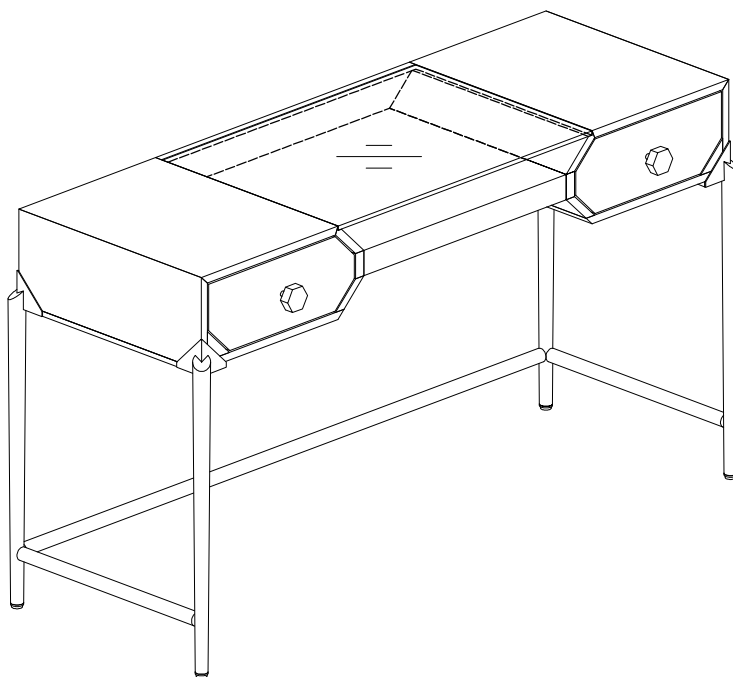
# TOV

Bajo White/Pink Lacquer Desk  
TOV-H5527/5528

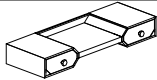
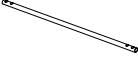



# BAJO

---

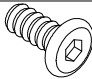

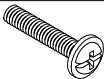

## ASSEMBLY INSTRUCTIONS



## PARTS LIST

LABEL	PICTURE	DESCRIPTION	QTY
A		Body	1
B		Connect	1
C		Glass	1
D		Left Frame	1
E		Right Frame	1

## HARDWARE

LABEL	PICTURE	DESCRIPTION	QTY
F		Screw(M6*16)	14
G		Spring Shim(M6)	14
H		Washer (Ø16-Ø6)*1.5	14
I		Allen Key Ø4	1
J		Stickers Felt (25*4.5*1.0)	4
K		Screw(M4*35)	2
L		Handle	2
M		Furniture Tipping Restraint	2

### BEFORE BEGINNING ASSEMBLY:



*Read instructions cover to cover*



*Have two adults on hand for assembly*



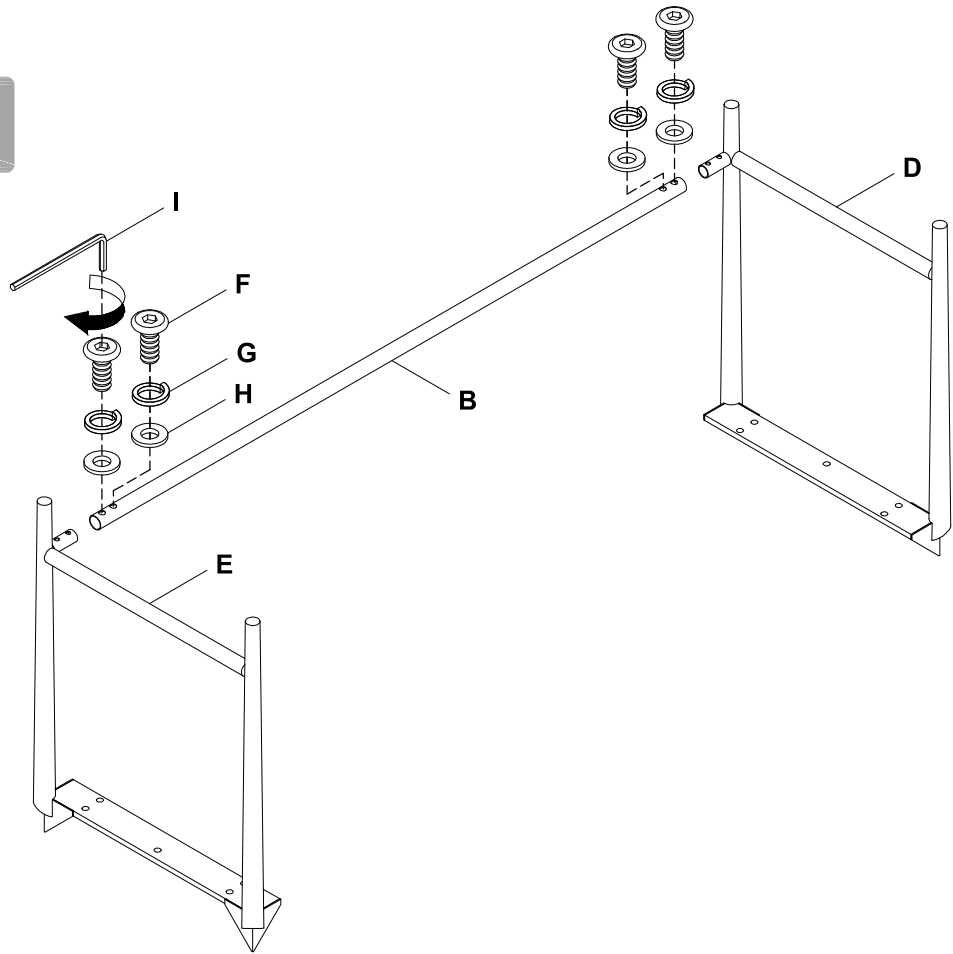
*Do NOT assemble on flooring or carpet. Assemble on a clean non-marring surface (ex: packing foam)*



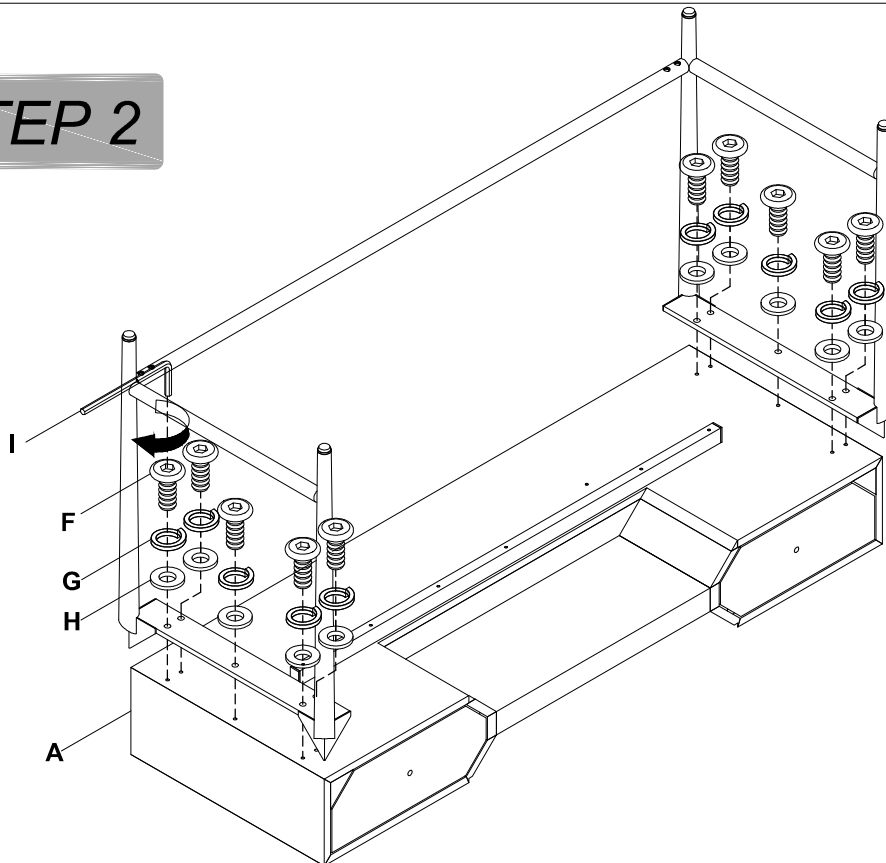
*Save all packaging until assembly is completed*

# ASSEMBLY STEPS

## STEP 1

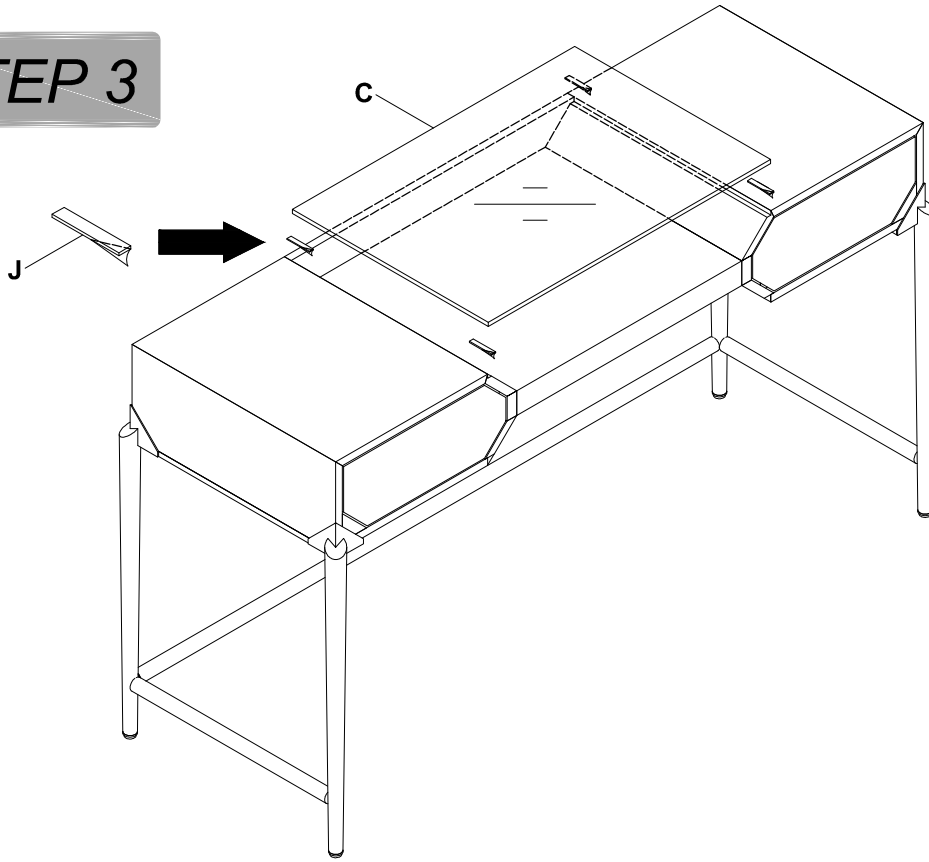


## STEP 2

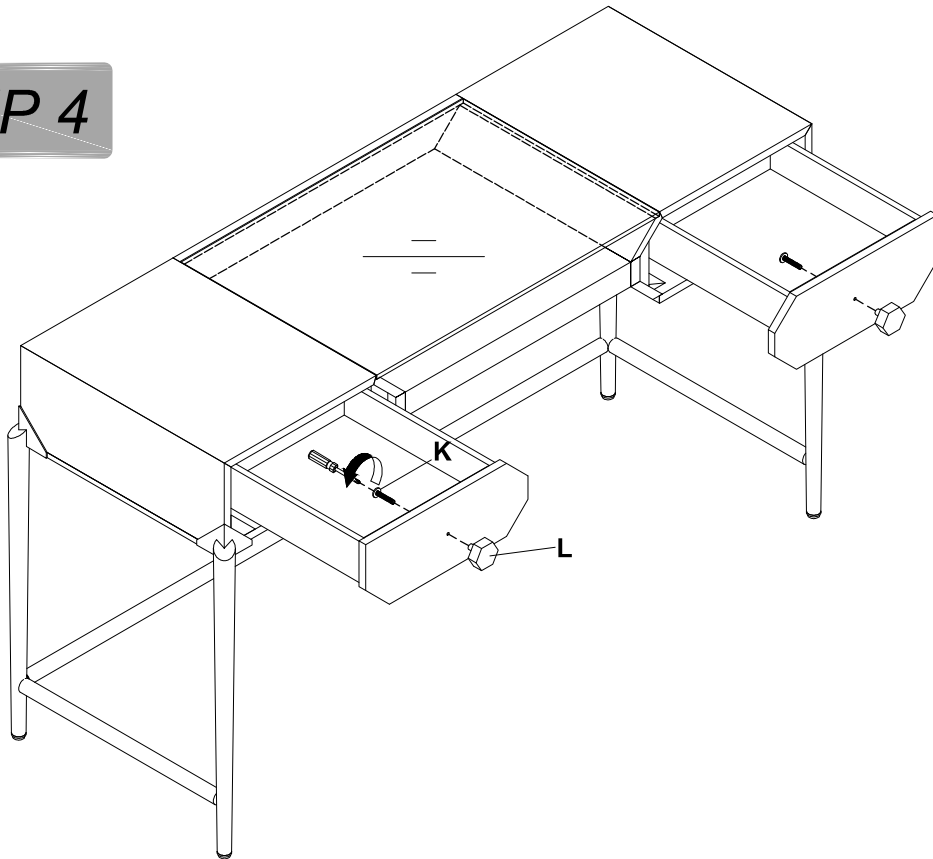


# ASSEMBLY STEPS

**STEP 3**

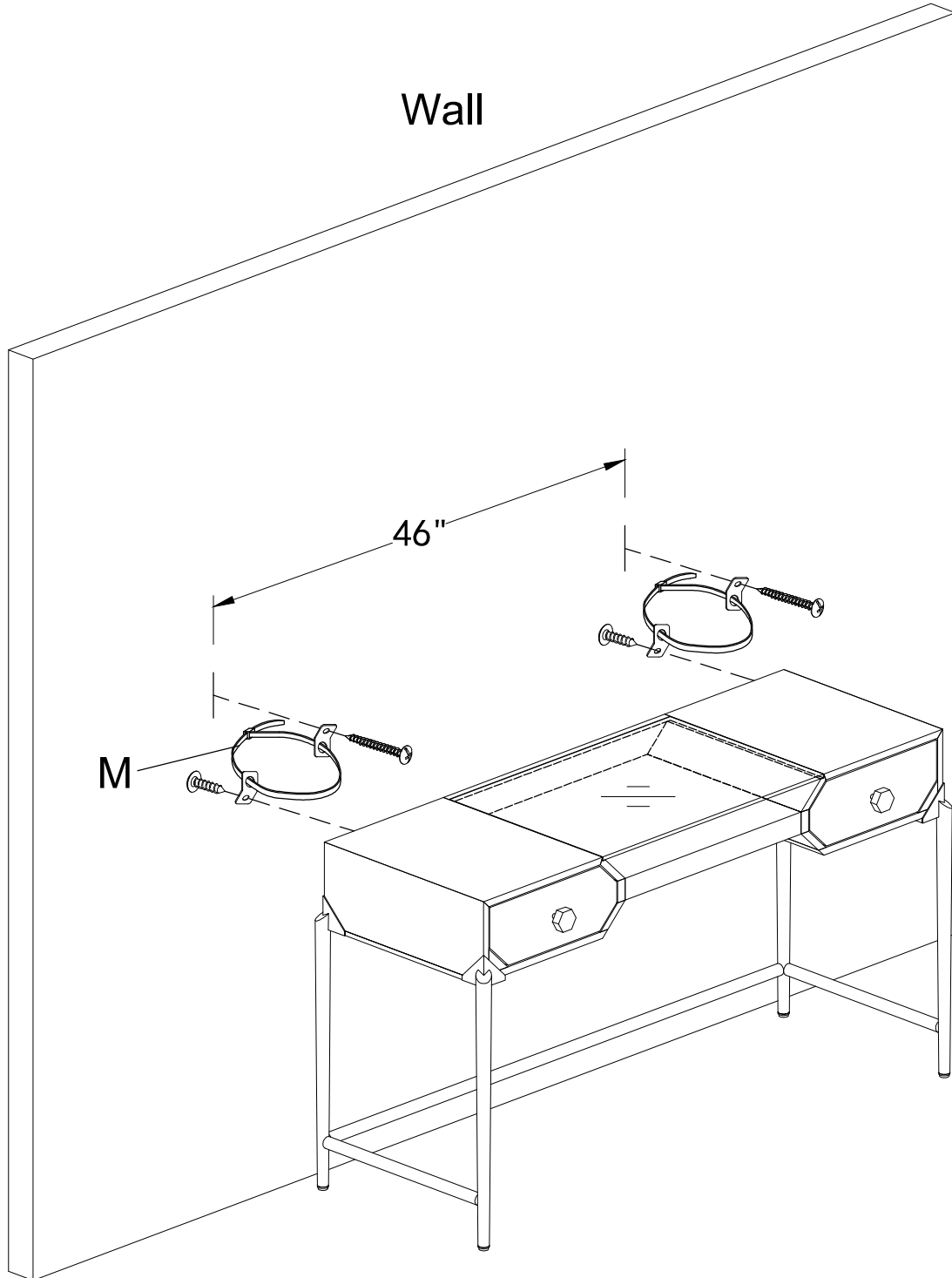


**STEP 4**



# ASSEMBLY STEPS

## STEP 5



## **CARE & MAINTENANCE**



**Do not put hot items directly on furniture surface.**



**Do not clean furniture with harsh cleansers or polish.**



**Dust and pick up spills using a clean, non-colored, lint-free cloth.**



**Stains may be removed with mild soap solution and damp cloth.**



**Do not place furniture under direct sunlight.**



**Do not place furniture near heating or cooling vents.**



**Do not write on furniture without a padded barrier to protect the surface.**



**Do not place furniture outside. For indoor use only.**