




TÖV
FURNITURE

Assembly Instruction




Cosmo Barstool



Parts List

Label	Picture	Description	QTY
A		Seat Pad	1
B		Seat Back	1
C		Metal Base	1

Hardware

Label	Picture	Description	QTY
D		Screw 6x30 MM	6
E		Screw 6x20 MM	4
F		Spanner (M5)	1

Assembly Preparation

Before Beginning Assembly:



- Read instructions, cover to cover-



- Have 2 adults on hand for assembly-



- Do not assemble on flooring or carpet-



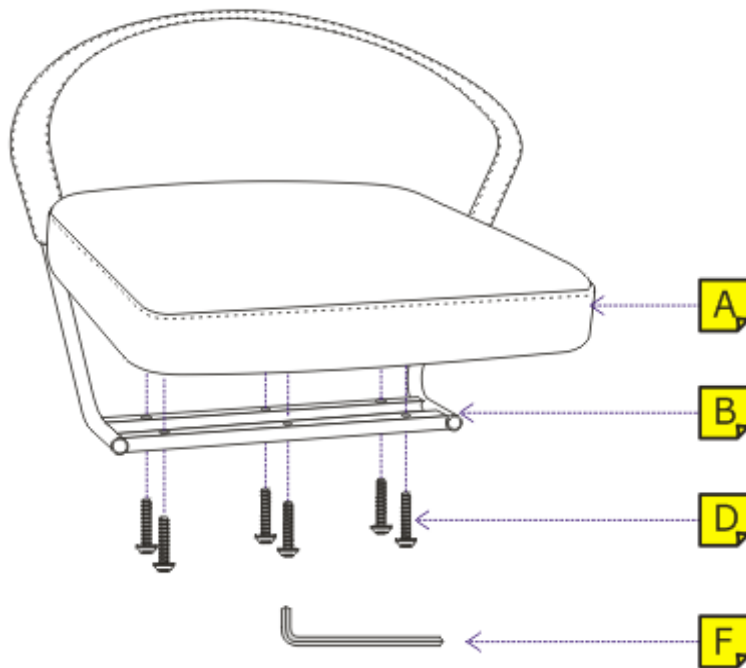
- Assemble on a clean non-marring surface (packing foam)-



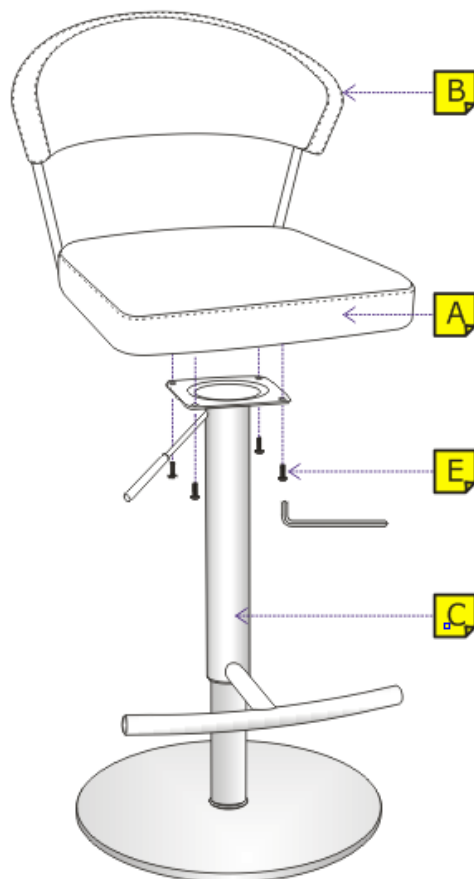
- Save all packaging until finished-

Assembly Steps

Step 1




Step 2



In order to activate the gas hydraulic, it is important that once you have assembled the stool that you raise the lever and bounce your weight up and down on the stool and then lift your weight off with the lever still raised and the stool should begin to

Care & Maintenance

-  Do not put hot items directly on furniture surface.
-  Do not clean furniture with harsh cleansers or polish.
-  Do not place furniture under direct sunlight.
-  Do not place furniture near heating or cooling vents.
-  Do not write on furniture without a padded barrier to protect the surface.
-  Do not place furniture outside. For indoor use only.
-  Not for commercial use. For residential use only.
-  Stains may be removed with mild soap solution and damp cloth.

-
-  Dust and pick-up spills using a clean, non-colored, lint-free cloth.