

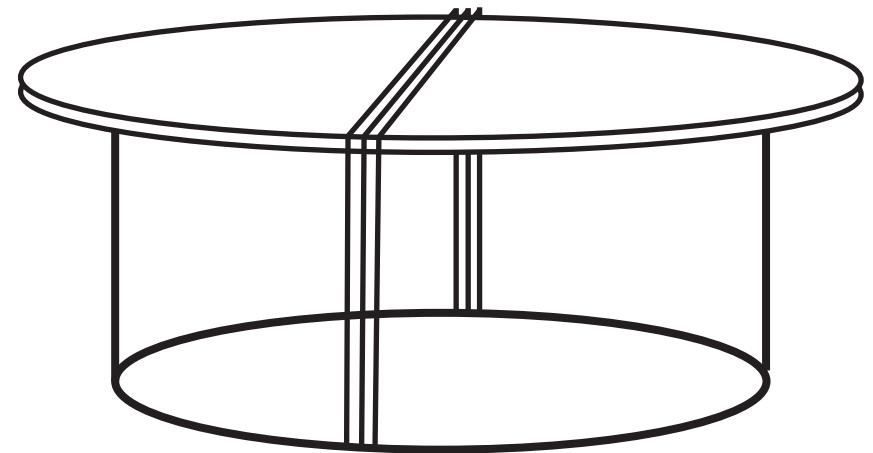
## CARE & MAINTENANCE

1. Protect against moisture.
2. Wipe with a clean, lint free cloth.
3. Do not use ammoniated detergents, metal or furniture polish or other abrasive cleaning agents.
4. Avoid spills, wipe up immediately with a dry, clean, lint free cloth.
5. Do not expose to harsh or direct sunlight.
6. Please make sure that you have all parts indicated before you begin assembly of this item.
7. This item should be assembled on a soft surface to prevent scratching the finish during assembly.
8. This item may require periodic tightening.

Caleb Oval White Marble Cocktail  
TOV-OC18281

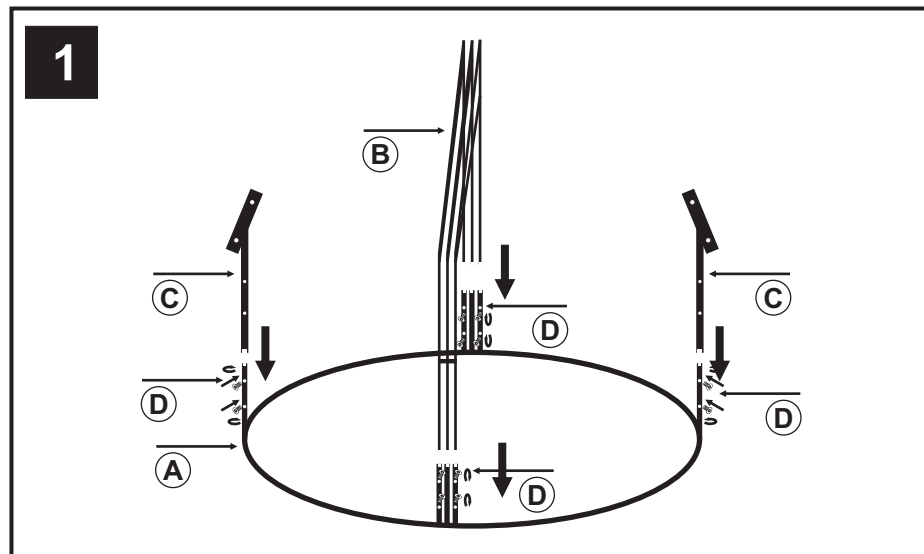
# TOV

## Caleb Oval White Marble Cocktail ASSEMBLY INSTRUCTIONS

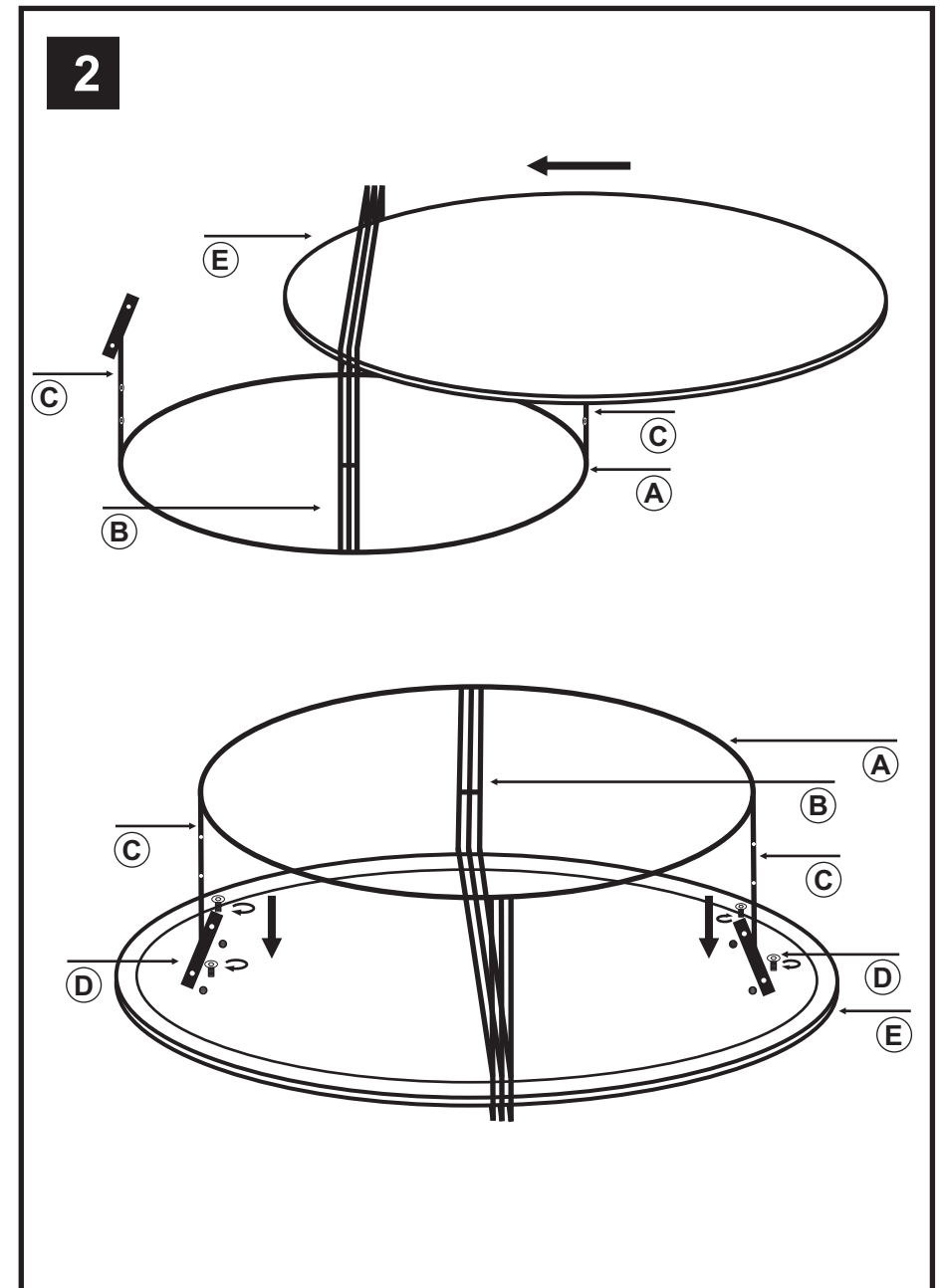


### Part List and Hardware List

DESCRIPTION	PICTURE	QUANTITY
A	Metal Base	1
B	Metal Frame	1
C	Metal Legs	2
D	Screw	12
E	Marble Top	1



STEP -1: PUT METAL FRAME (B) & METAL LEGS (C) ON MARBLE TOP (A) AS SHOWN IN IMAGE (Page 2 of 4)



STEP -2: USE SCREW (D) TO FIX MARBLE TOP (A) WITH METAL FRAME (B) & METAL LEGS (C) WITH THE HELP OF SCREW DRIVER AS SHOWN IN IMAGE