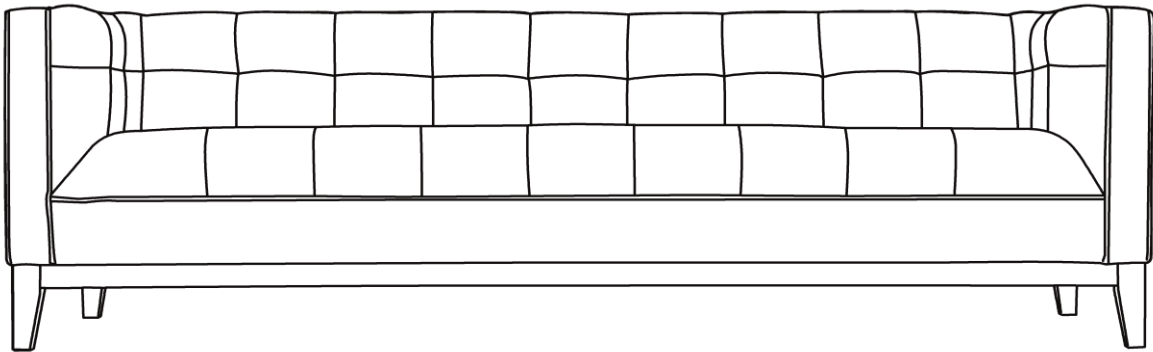


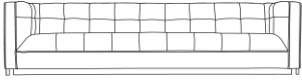



Assembly Instruction





Gavin SOFA



Parts List

Label	Picture	Description	QTY
A		Sofa	1
B		Leg	4

Hardware

Label	Picture	Description	QTY
E		Metal Gasket	8
F		Spring Washer	8
G		Screw	8
H		Wrench	1

Assembly Preparation

Before Beginning Assembly:



- Read instructions, cover to cover-



- Have 2 adults on hand for assembly-



- Do not assemble on flooring or carpet-



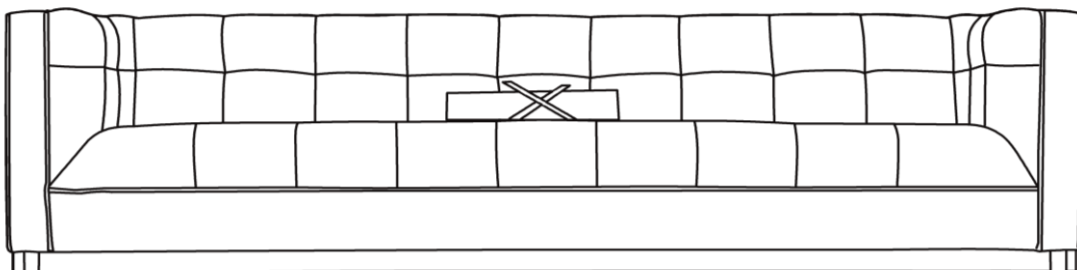
- Assemble on a clean non-marring surface (packing foam)-



- Save all packaging until finished-

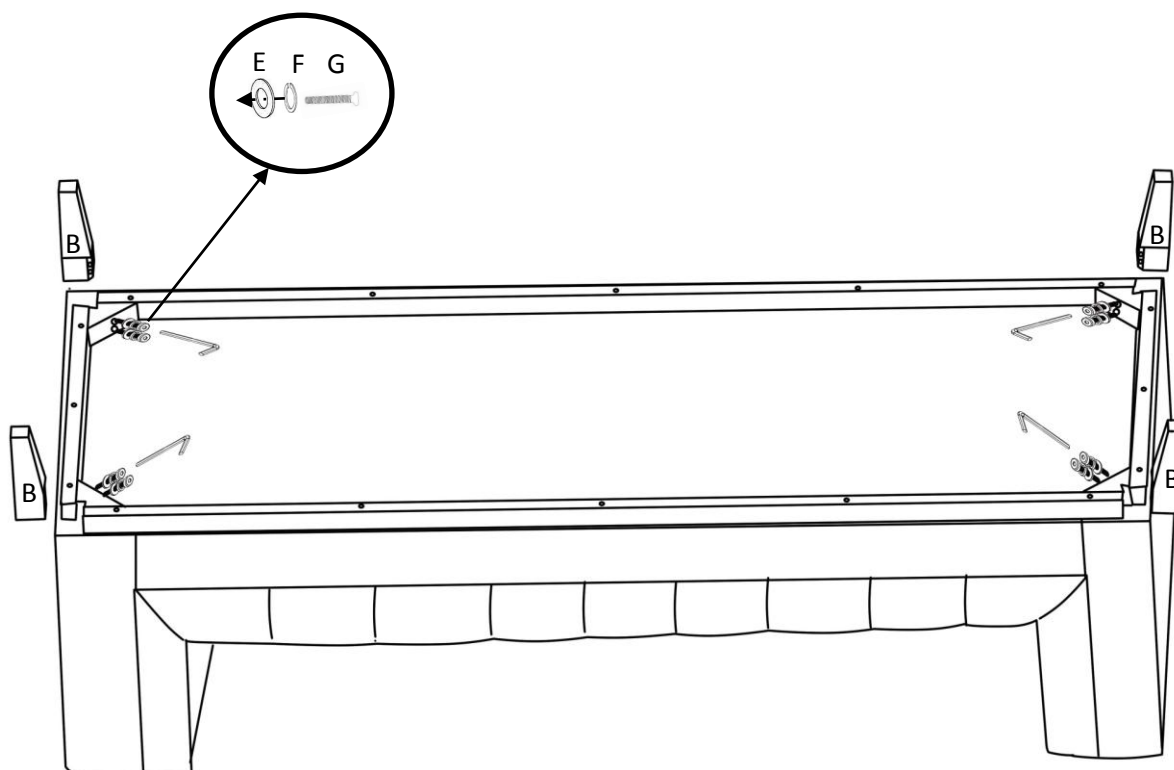
Assembly Steps

Step 1



Position the Sofa on its front . as shown. Open to take the 4 Legs.

Step 2



Care & Maintenance



• Do not put hot items directly on furniture surface.



• Do not clean furniture with harsh cleansers or polish.



• Do not place furniture under direct sunlight.



• Do not place furniture near heating or cooling vents.



• Do not write on furniture without a padded barrier to protect the surface.



• Do not place furniture outside. For indoor use only.



• Not for commercial use. For residential use only.



• Stains may be removed with mild soap solution and damp cloth.



• Dust and pick-up spills using a clean, non-colored, lint-free cloth.