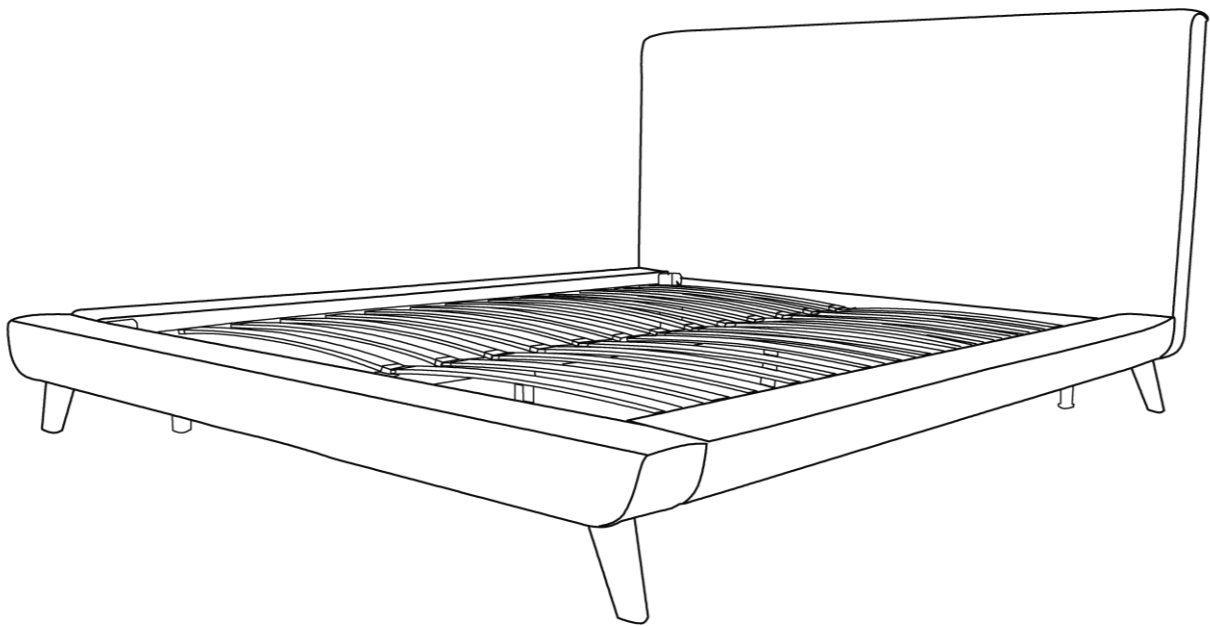


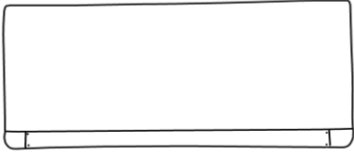




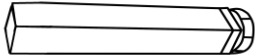
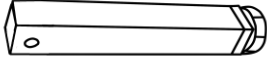


# Assembly Instruction



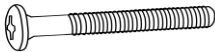




## **Nixon Bed** **TOV-B14**



## Parts List

Label	Picture	Description	QTY
A		Headboard	1
B		Sideboard	2
C		Footboard	1
D		Keel Frame	2
E		Bed Side Leg	4
F		Keel Frame Side Leg	4
G		Keel Frame Middle Leg	2

## Hardware

Label	Picture	Description	QTY
H		Keel Frame Side Leg Screw (2.7cm)	4
I		Fixed Clip	4
J		Keel Frame Middle Leg Screw(8.2cm)	2
K		Keel Frame Middle Leg Screw(4.7cm)	2
L		Middle Leg Screw Nut	4
M		Wrench	1
N		Wrench #2	1

## Assembly Preparation

Before Beginning Assembly:



- Read instructions, cover to cover-



- Have 2 adults on hand for assembly-



- Do not assemble on flooring or carpet-



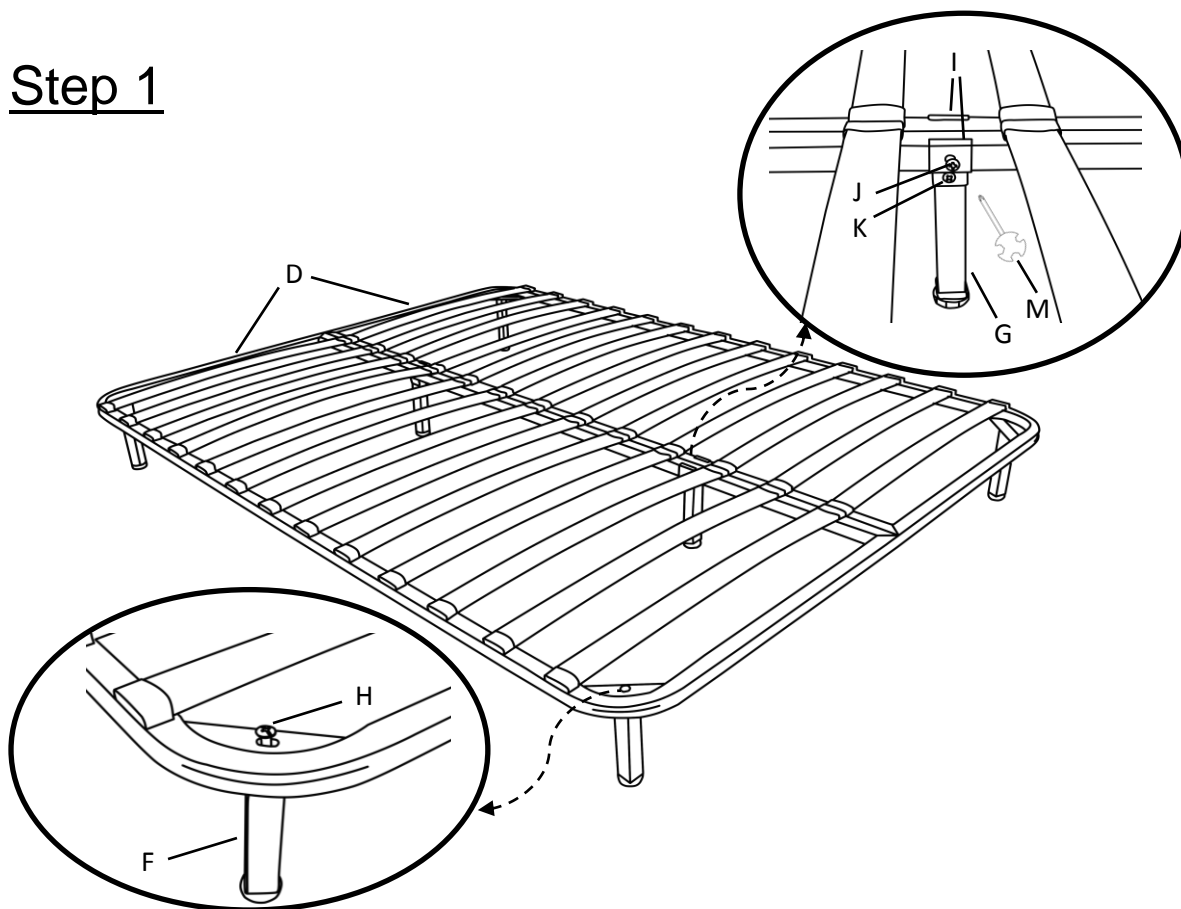
- Assemble on a clean non-marring surface (packing foam)-



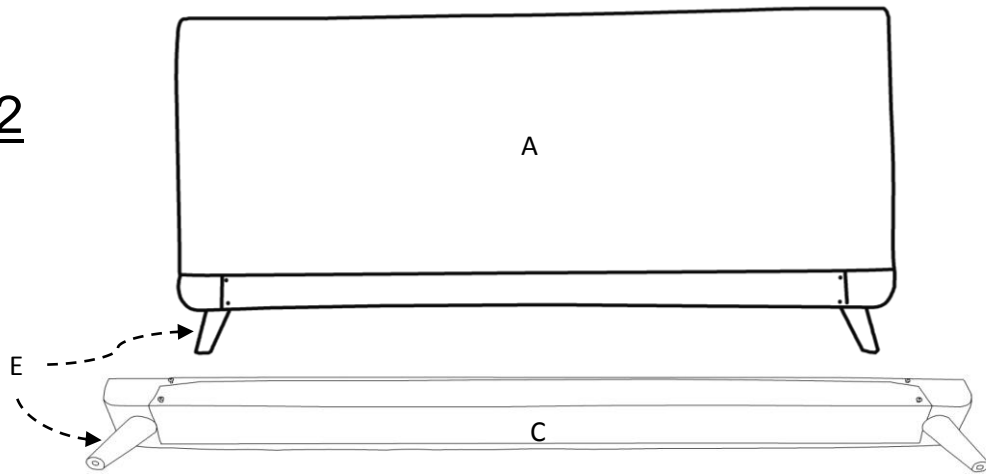
- Save all packaging until finished-

## Assembly Steps

### Step 1

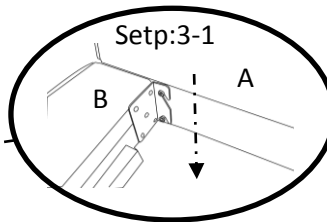
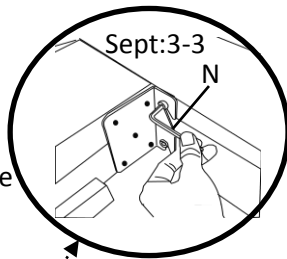


## Step 2

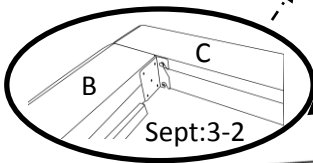


## Step 3

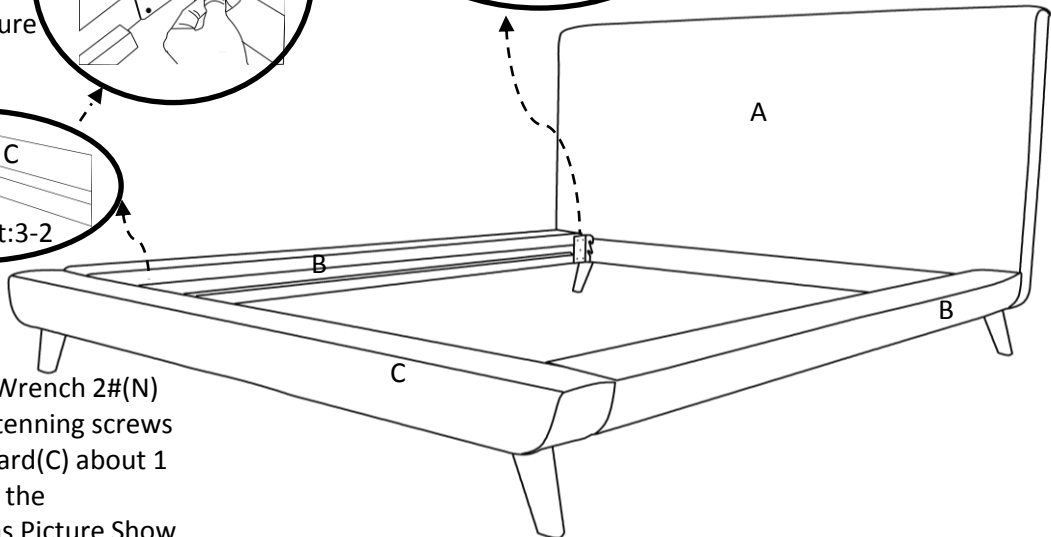
Step 3-3: Use Wrench 2#(N) Tighten The Screw As Picture Show



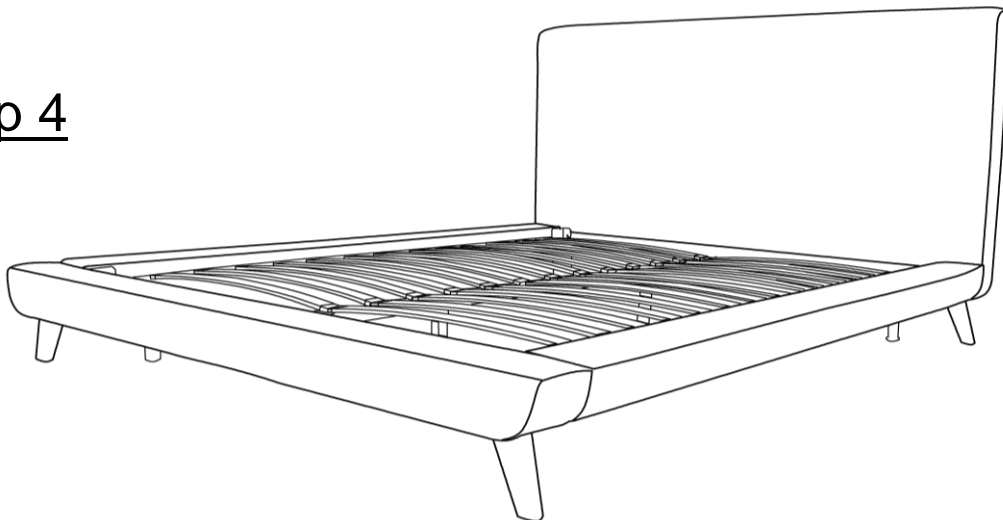
Step 3-1: Use Wrench 2# (N) loosen the fastening screws on the headboard(A) about 1 cm and buckle the Sideboard (B) as Picture Show



Step 3-2: Use Wrench 2#(N) loosen the fastening screws on the Footboard(C) about 1 cm and buckle the Sideboard(B) as Picture Show



## Step 4



## Care & Maintenance



• Do not put hot items directly on furniture surface.



• Do not clean furniture with harsh cleansers or polish.



• Do not place furniture under direct sunlight.



• Do not place furniture near heating or cooling vents.



• Do not write on furniture without a padded barrier to protect the surface.



• Do not place furniture outside. For indoor use only.



• Not for commercial use. For residential use only.



• Stains may be removed with mild soap solution and damp cloth.



• Dust and pick-up spills using a clean, non-colored, lint-free cloth.