

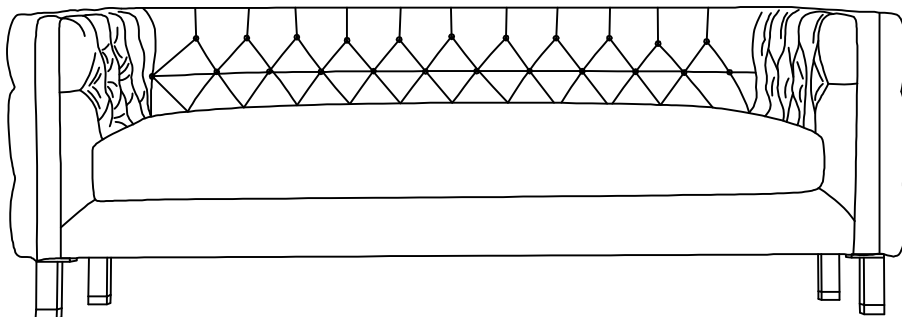
TÖV  
FURNITURE

Rimini Velvet Sofa  
TOV-L4113/TOV-L4114

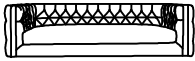


# Rimini

---

## Assembly Instructions



## PARTS LIST

LABEL	PICTURE	DESCRIPTION	QTY
A		Sofa	1
B		Acrylic Leg	4
C		Align and Center Leg	1

## HARDWARE

LABEL	PICTURE	DESCRIPTION	QTY
D		Self-tapping Screw	8

### BEFORE BEGINNING ASSEMBLY:



*Read instructions cover to cover*



*Have two adults on hand for assembly*



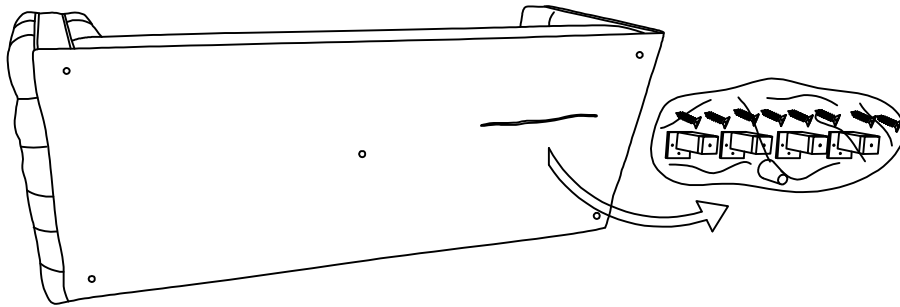
*Do NOT assemble on flooring or carpet. Assemble on a clean non-marring surface (ex: packing foam)*



*Save all packaging until assembly is completed*

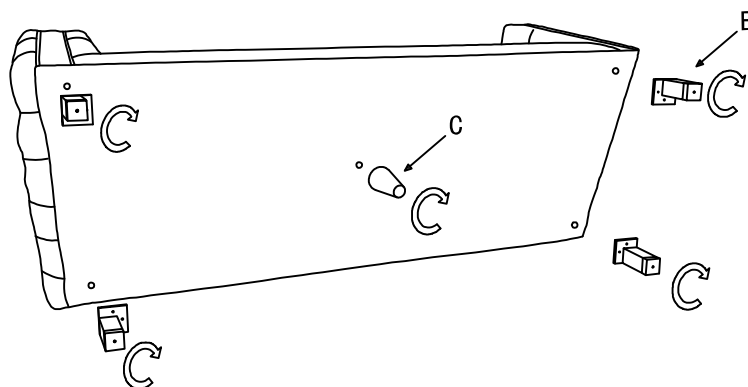
## ASSEMBLY STEPS

### STEP # 1



- › Position the sofa backside down, as shown above.  
Then, open the pocket to access and take out the five legs.

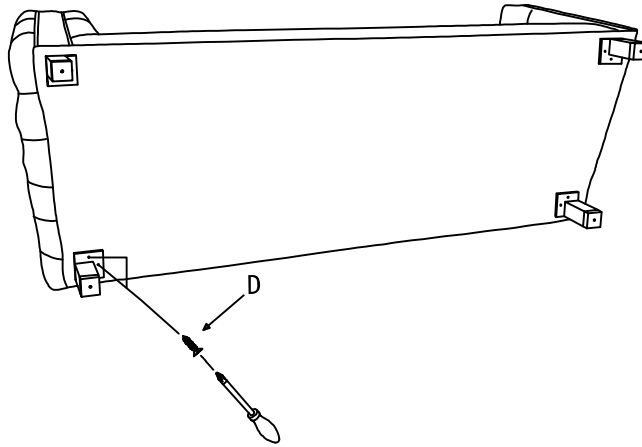
### STEP # 2



- › Screw the threaded rod of the leg to the bottom of the sofa.

## ASSEMBLY STEPS

### STEP # 3



› Screw the Self-tapping screw into the corner holes to fasten the legs.

## **CARE & MAINTENANCE**



**Do not put hot items directly on furniture surface.**



**Do not clean furniture with harsh cleansers or polish.**



**Dust and pick up spills using a clean, non-colored, lint-free cloth.**



**Stains may be removed with mild soap solution and a damp cloth.**



**Do not place furniture under direct sunlight.**



**Do not place furniture near heating or cooling vents.**



**Do not write on furniture without a padded barrier to protect the surface.**



**Do not place furniture outside, for indoor use only.**