

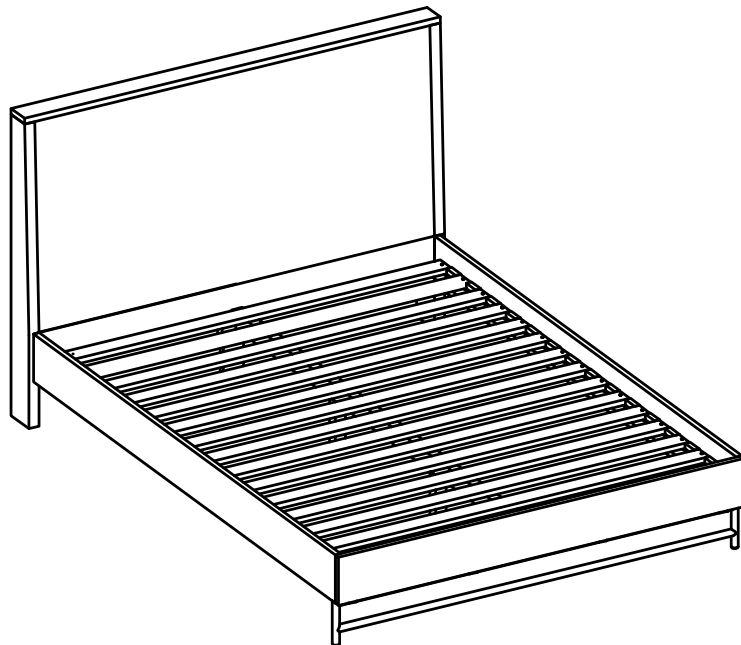
T Ō V

FURNITURE

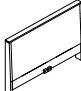





BUSHWICK BED
TOV-B7050

BUSHWICK



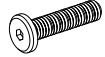



ASSEMBLY INSTRUCTIONS



PARTS LIST

LABEL	PICTURE	DESCRIPTION	QTY
A		HEADBOARD	1
B		FOOTBOARD	1
C		SIDERAIL LEFT AND RIGHT	2
D		MIDDLE RAIL	1
E		CENTER LEG	3
F		SLAT FRAME	15

HARDWARE

LABEL	PICTURE	DESCRIPTION	QTY
G		SCREW M6X10	8
H		WRENCH K5	1
I		SCREW M6X60	3
J		WRENCH K4	1
K		SCREW M4X30	32
L		METAL GASKET	3

BEFORE BEGINNING ASSEMBLY:



Read instructions cover to cover



Have two adults on hand for assembly



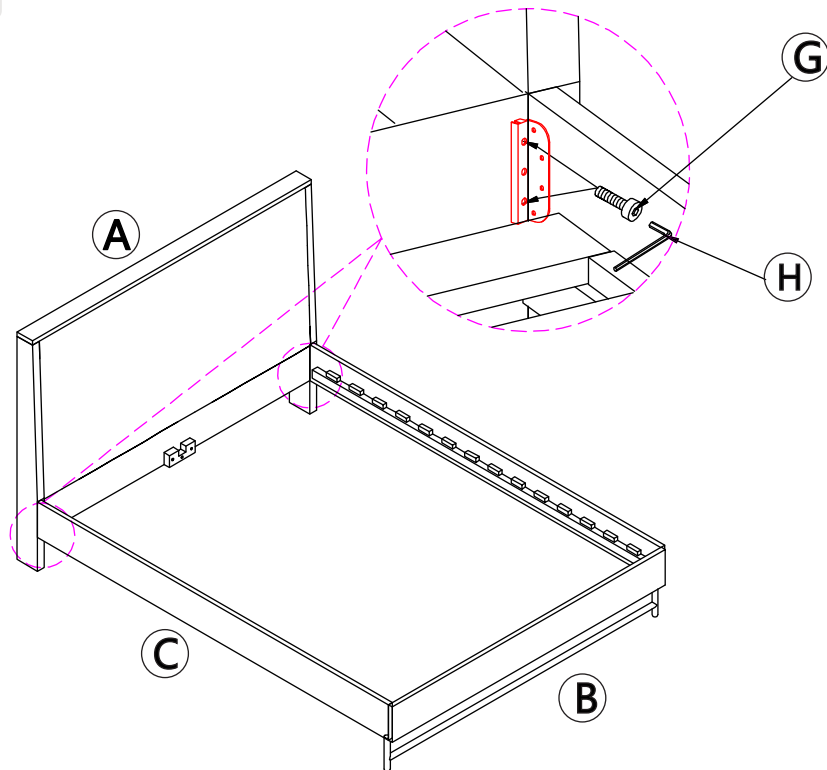
Do NOT assemble on flooring or carpet. Assemble on a clean non-marring surface (ex: packing foam)



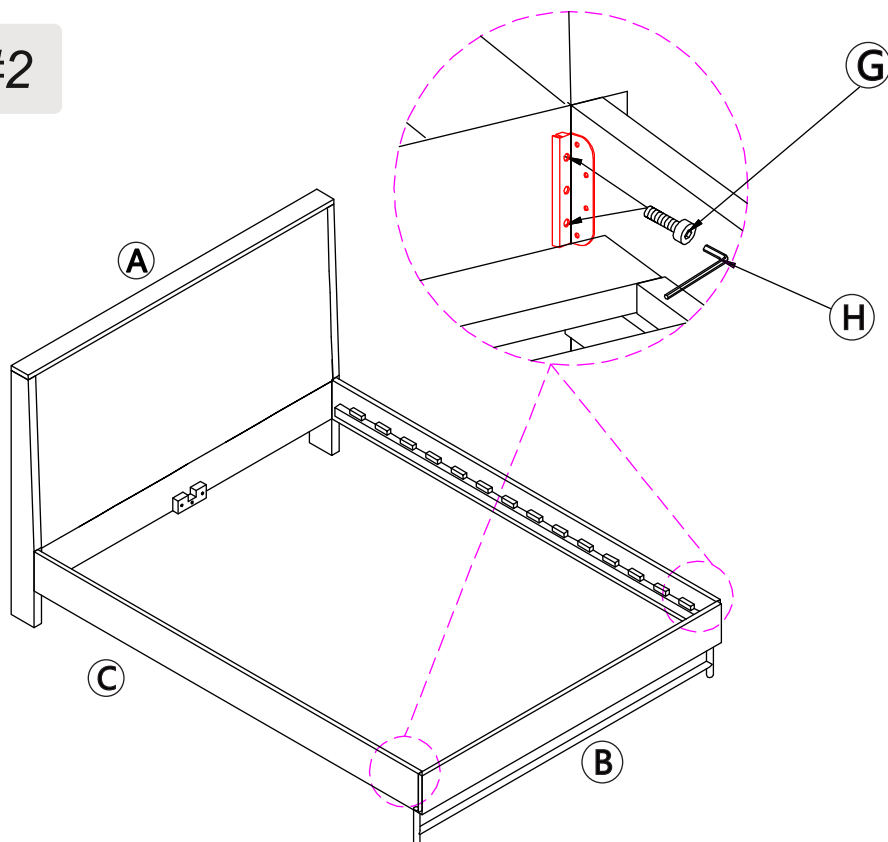
Save all packaging until assembly is completed

ASSEMBLY STEPS

STEP#1

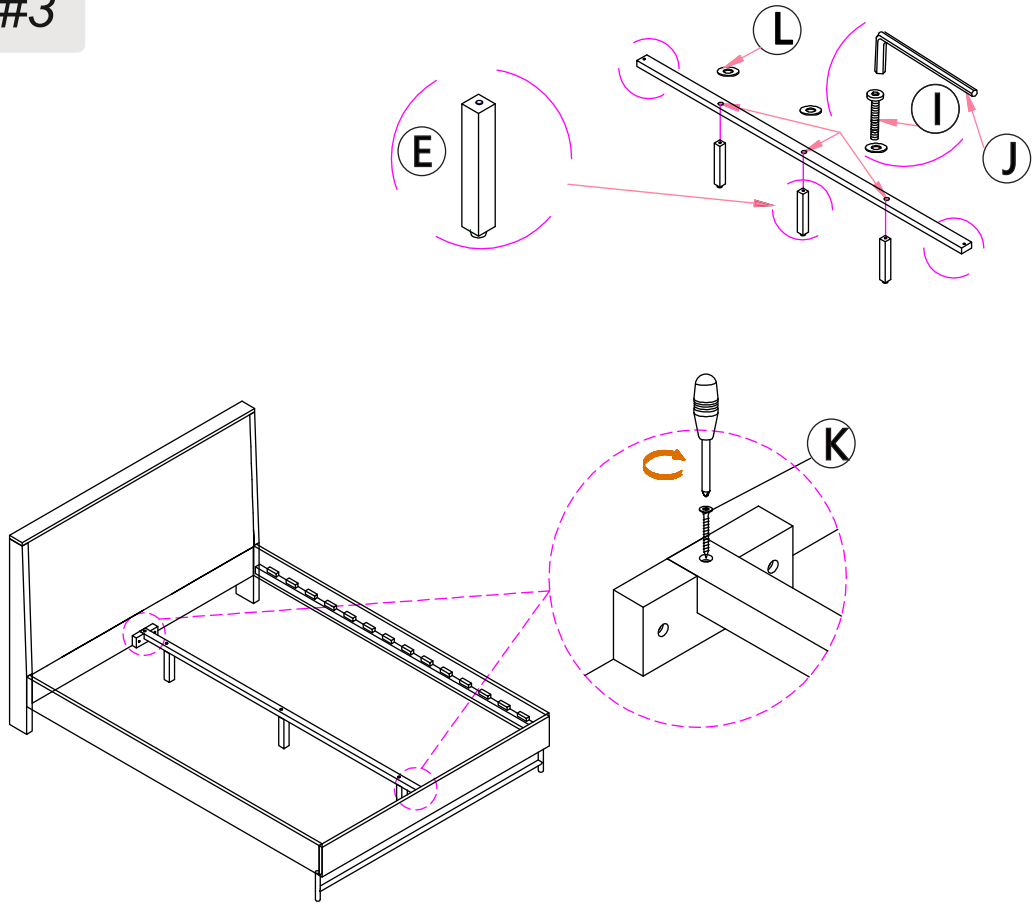


STEP#2

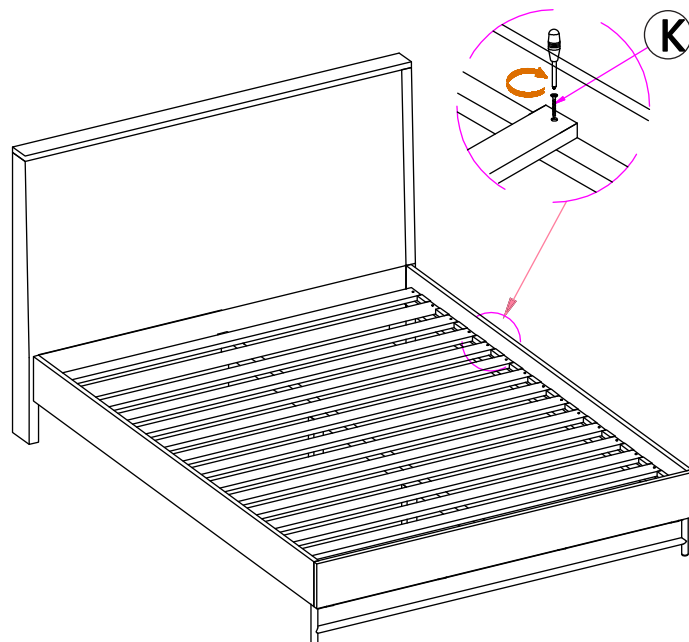


ASSEMBLY STEPS

STEP#3



STEP#4



CARE & MAINTENANCE



Do not put hot items directly on furniture surface.



Do not clean furniture with harsh cleansers or polish



Dust and pick up spills using a clean, non-colored, lint-free cloth.



Stains may be removed with mild soap solution and a damp cloth.



Do not place furniture under direct sunlight.



Do not place furniture near heating or cooling vents.



Do not write on furniture without a padded barrier to protect the surface.



Do not place furniture outside, for indoor use only.