

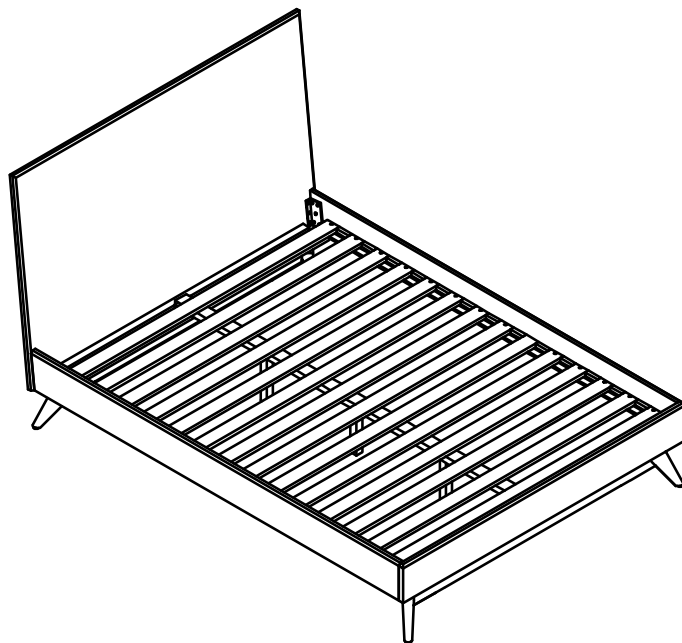
T Ö V

FURNITURE



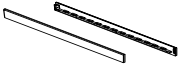
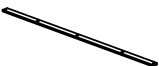


LOFT WOODEN QUEEN BED  
TOV-B7057

# LOFT



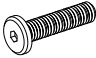

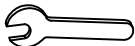



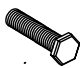

## ASSEMBLY INSTRUCTIONS



## PARTS LIST

LABEL	PICTURE	DESCRIPTION	QTY
A		HEADBOARD	1
B		FOOTBOARD	1
C		SIDERAIL LEFT AND RIGHT	2
D		MIDDLE RAIL	1
E		CENTER LEG	3
F		SLAT FRAME	14

## HARDWARE

LABEL	PICTURE	DESCRIPTION	QTY
G		SCREW M6X15	4
H		WRENCH K5	1
I		SCREW M6X60	3
J		WRENCH K4	1
K		SPANER K13	2
L		METAL GASKET Ø19x2mm	7
M		Hex Nut M8	4
N		SCREW M4X30	30
O		SCREW M8X40	4
P		METAL GASKET Ø23x2mm	4

### BEFORE BEGINNING ASSEMBLY:



*Read instructions cover to cover*



*Have two adults on hand for assembly*



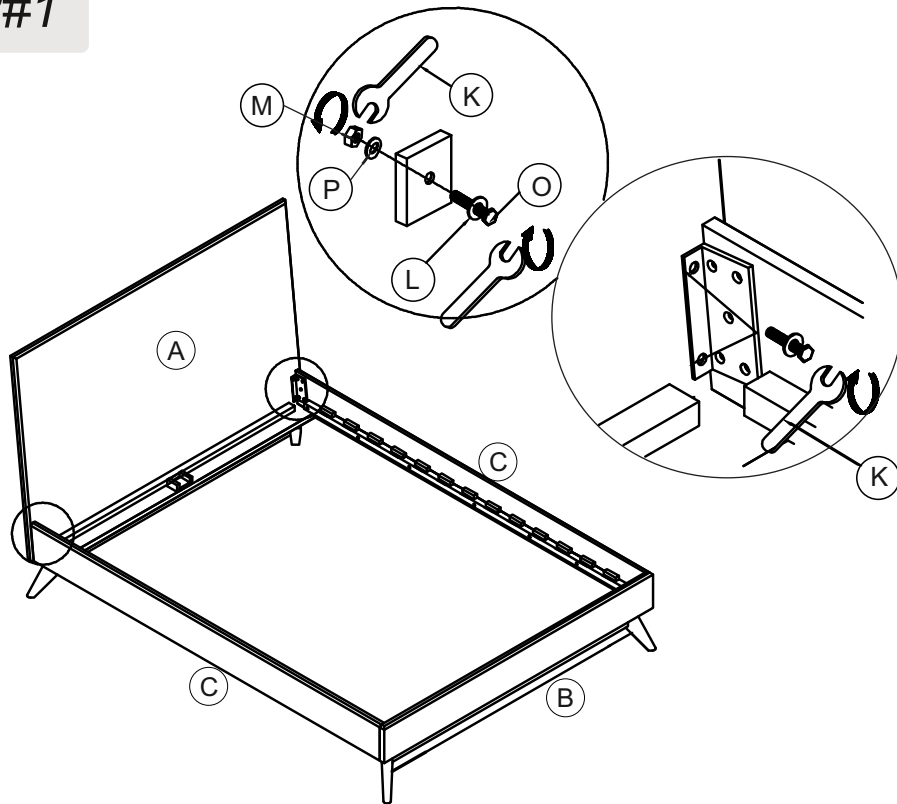
*Do NOT assemble on flooring or carpet. Assemble on a clean non-marring surface (ex: packing foam)*



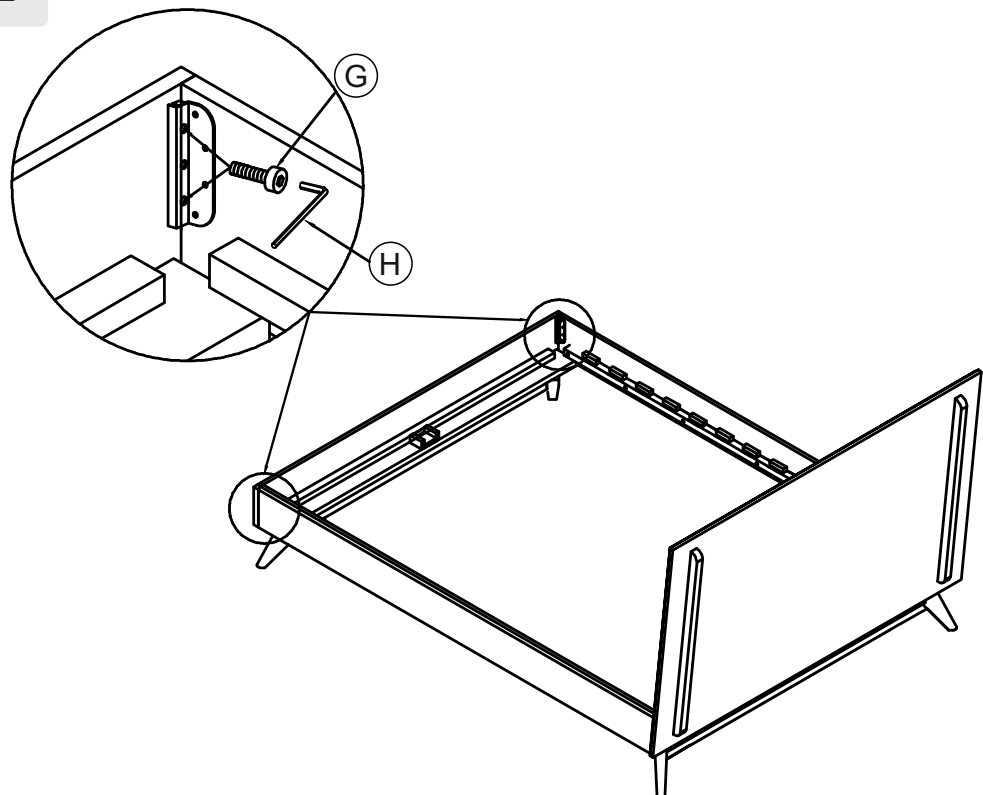
*Save all packaging until assembly is completed*

# ASSEMBLY STEPS

## STEP#1

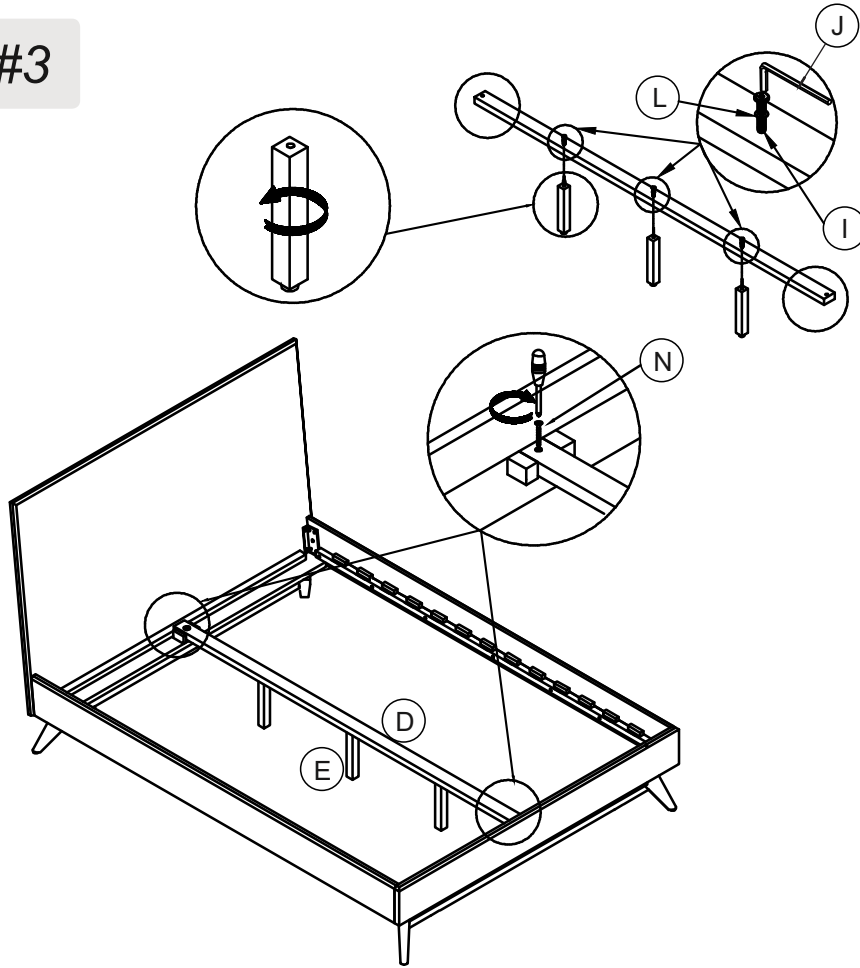


## STEP#2

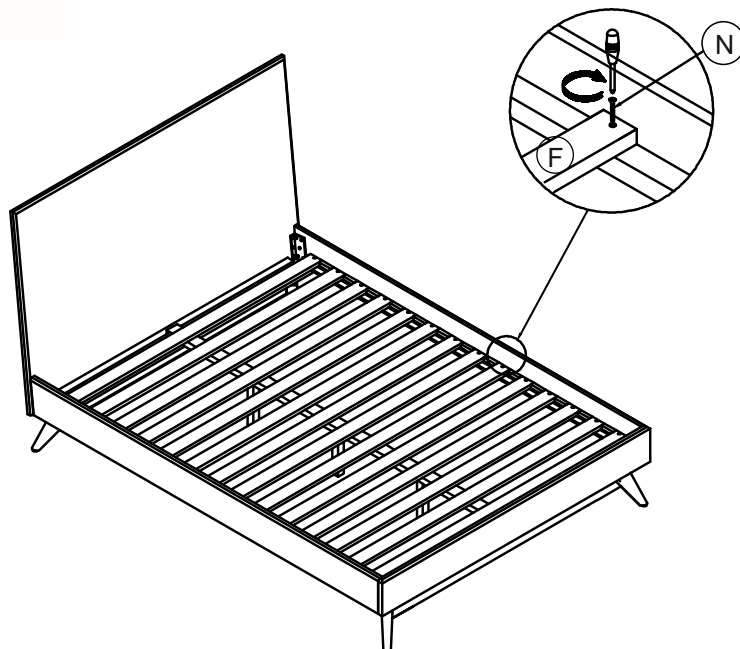


# ASSEMBLY STEPS

## STEP#3



## STEP#4



---

## CARE & MAINTENANCE

---



Do not put hot items directly on furniture surface.



Do not clean furniture with harsh cleansers or polish



Dust and pick up spills using a clean, non-colored, lint-free cloth.



Stains may be removed with mild soap solution and a damp cloth.



Do not place furniture under direct sunlight.



Do not place furniture near heating or cooling vents.



Do not write on furniture without a padded barrier to protect the surface.



Do not place furniture outside, for indoor use only.