

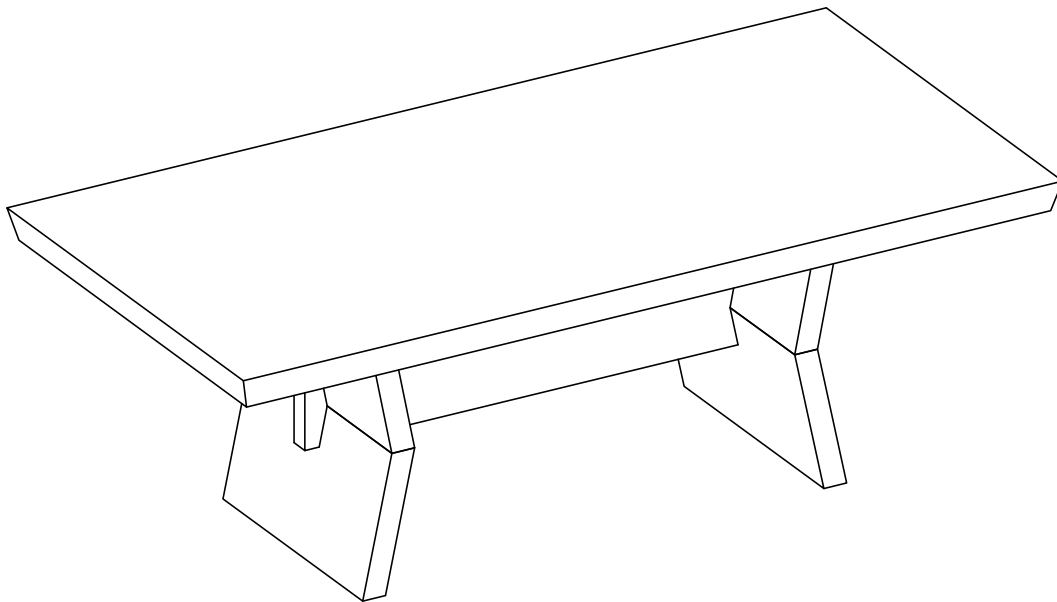
T Ö V

FURNITURE

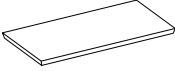


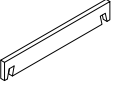
ASTORIA DARK CONCRETE DINING TABLE  
TOV-D7063

# ASTORIA


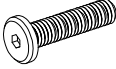

## ASSEMBLY INSTRUCTIONS



## PARTS LIST

LABEL	PICTURE	DESCRIPTION	QTY
A		TOP PANEL	1
B		LEFT LEG	1
C		RIGHT LEG	1
D		MIDDLE STRETCHER	1

## HARDWARE

LABEL	PICTURE	DESCRIPTION	QTY
E		METAL GASKET	12
F		SCREW M8X35	12
G		WRENCH	1

### BEFORE BEGINNING ASSEMBLY:



*Read instructions cover to cover*



*Have two adults on hand for assembly*



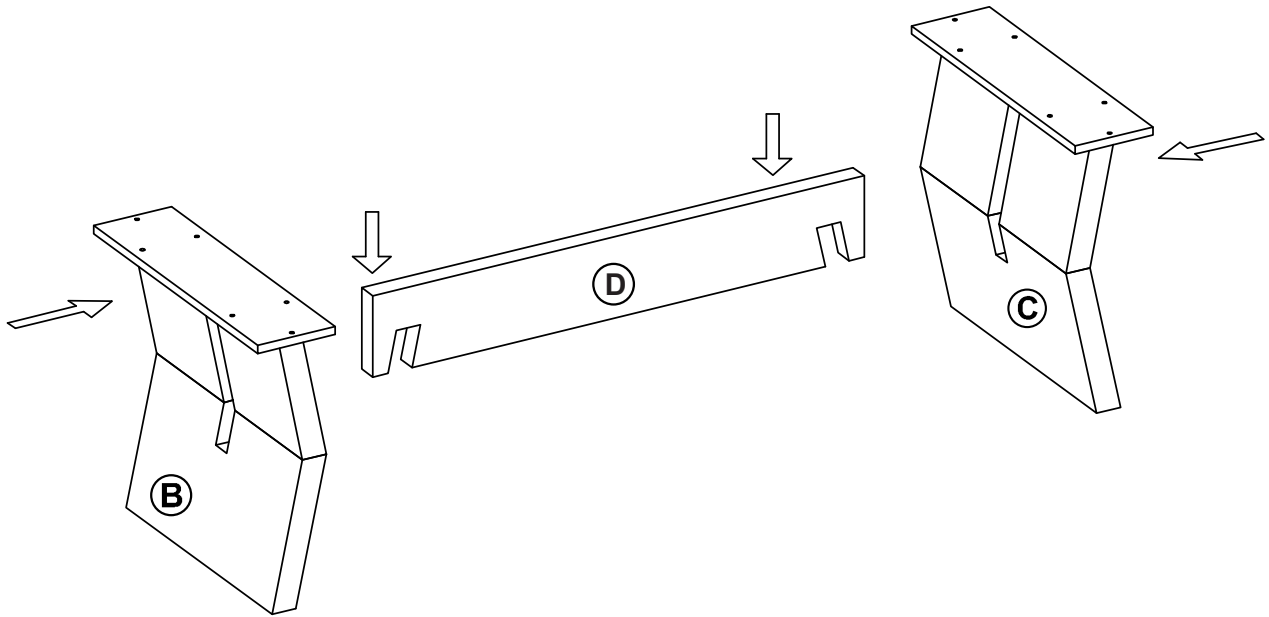
*Do NOT assemble on flooring or carpet. Assemble on a clean non-marring surface (ex: packing foam)*



*Save all packaging until assembly is completed*

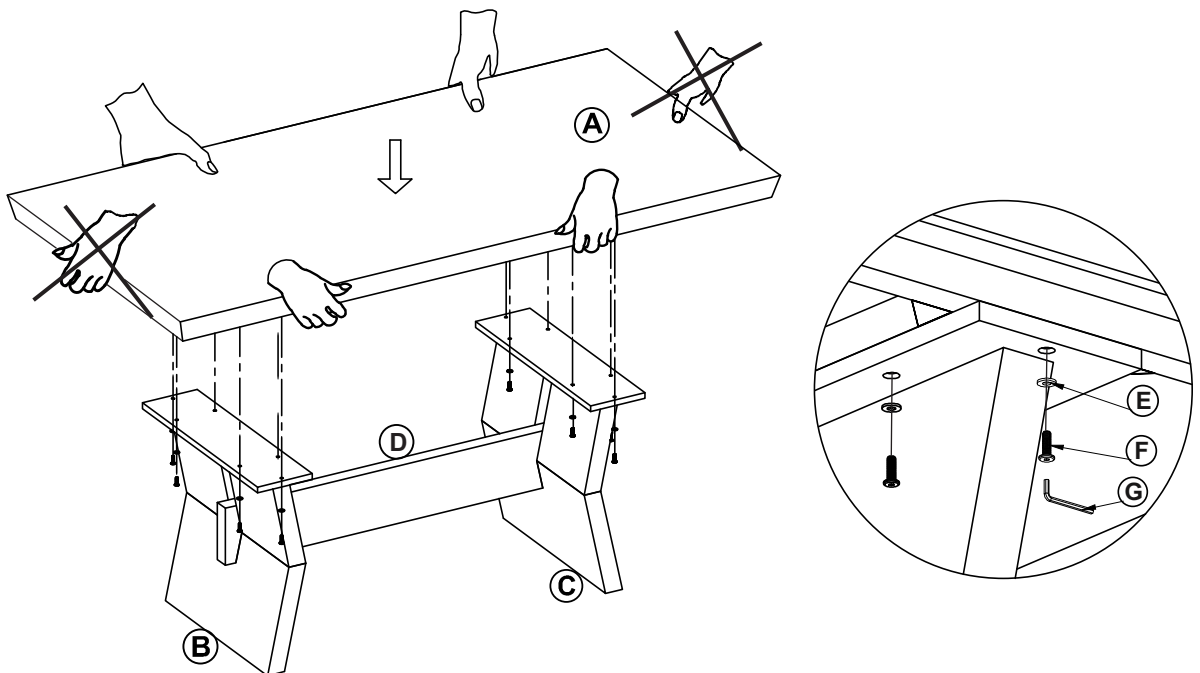
# ASSEMBLY STEPS

## STEP#1



## STEP#2

**CARRY THE CONCRETE TABLE TOP BY THE TWO LONGER SIDES  
DO NOT LIFT FROM THE SHORTER SIDES**



---

## CARE & MAINTENANCE

---



Do not put hot items directly on furniture surface.



Do not clean furniture with harsh cleansers or polish



Dust and pick up spills using a clean, non-colored, lint-free cloth.



Stains may be removed with mild soap solution and a damp cloth.



Do not place furniture under direct sunlight.



Do not place furniture near heating or cooling vents.



Do not write on furniture without a padded barrier to protect the surface.



Do not place furniture outside, for indoor use only.