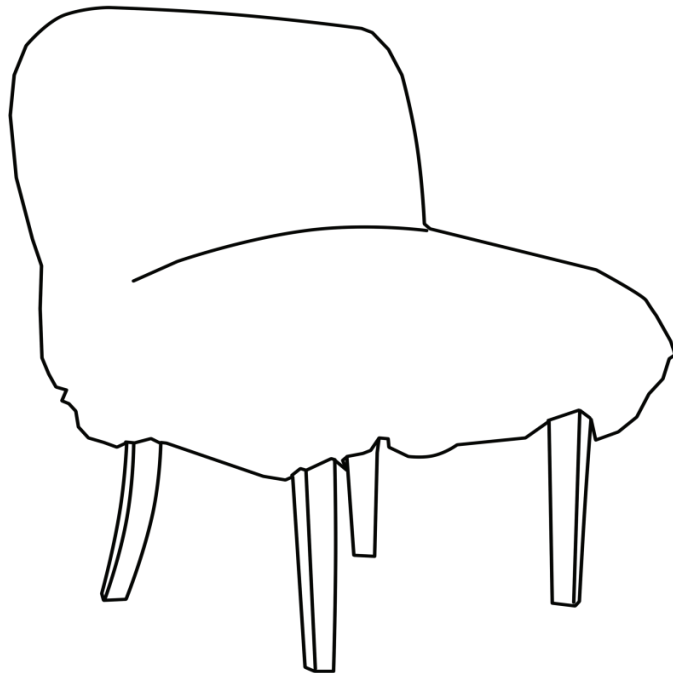





**Sophie Chair
TOV-A75**

SOPHIE






ASSEMBLYINSTRUCTIONS



PARTS LIST

| LABEL | PICTURE | DESCRIPTION | QTY |
|----------|---|------------------|----------|
| A |  | Chair | 1 |
| B |  | Front Leg | 2 |
| C |  | Back Leg | 2 |

HARDWARE

| LABEL | PICTURE | DESCRIPTION | QTY |
|----------|---|-----------------------|-----------|
| E |  | Metal Gasket | 10 |
| F |  | Spring Washer | 10 |
| G |  | Screw | 10 |
| H |  | Wrench | 1 |
| I |  | Plastic Gasket | 10 |

BEFORE BEGINNING ASSEMBLY:



Read instructions cover to cover



Have two adults on hand for assembly



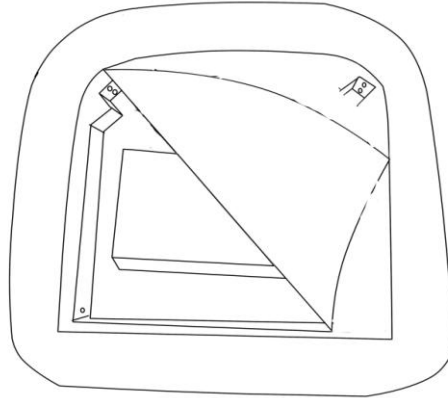
Do NOT assemble on flooring or carpet. Assemble on a clean non-marring surface (ex: packing foam)



Save all packaging until assembly is completed

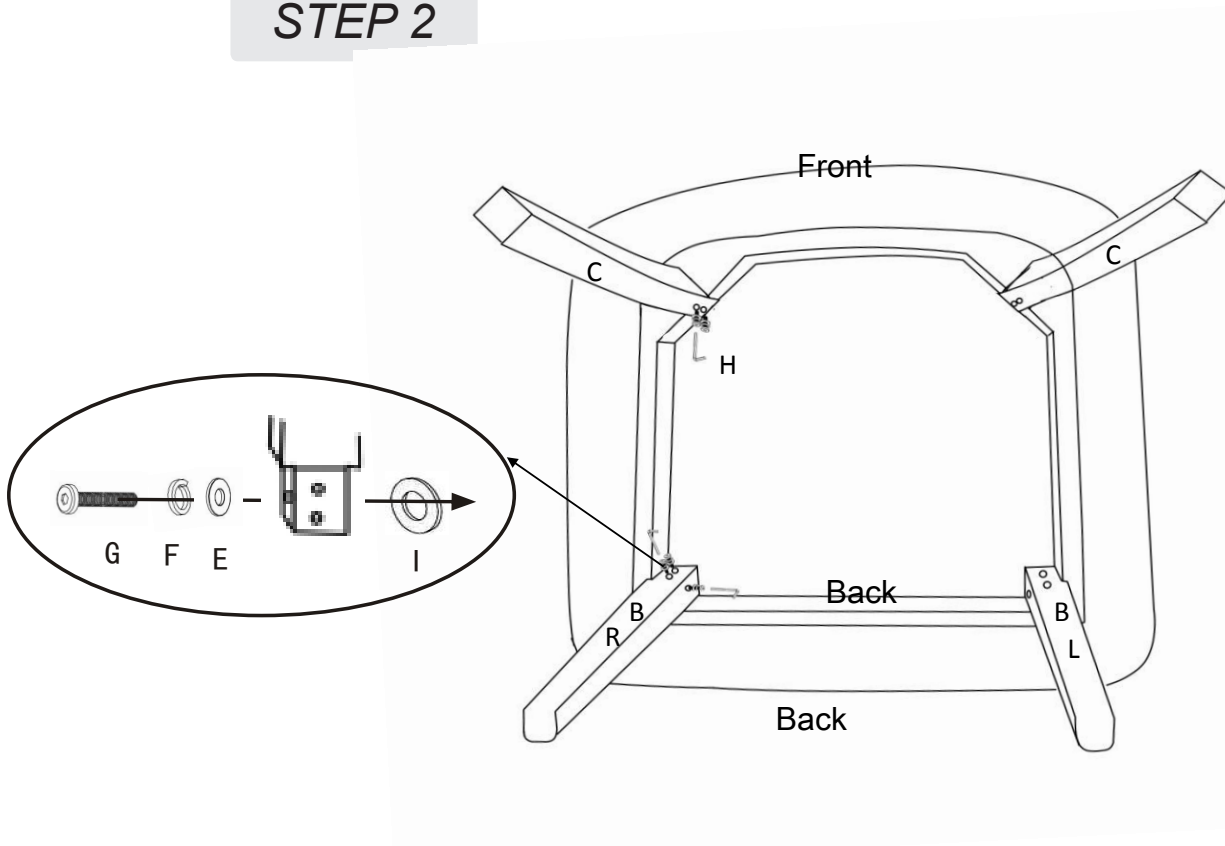
ASSEMBLY STEPS

STEP 1



- › Position the product on its bottom as shown.
- › Open to take the four legs.

STEP 2



CARE & MAINTENANCE



Do not put hot items directly on furniture surface.



Do not clean furniture with harsh cleansers or polish.



Dust and pick up spills using a clean, non-colored, lint-free cloth.



Stains may be removed with mild soap solution and a damp cloth.



Do not place furniture under direct sunlight.



Do not place furniture near heating or cooling vents.



Do not write on furniture without a padded barrier to protect the surface.



Do not place furniture outside, for indoor use only.