


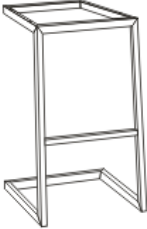
TÖV  
FURNITURE

# Assembly Instruction



## Parma Counterstool



# Parts List

Label	Picture	Description	QTY
A		Seat Pad	1
B		Frame	1

# Hardware

Label	Picture	Description	QTY
C		Screw 6x50 MM	4
D		Spanner (M4)	1

# Assembly Preparation

## Before Beginning Assembly:



- Read instructions, cover to cover-



- Have 2 adults on hand for assembly-



- Do not assemble on flooring or carpet-



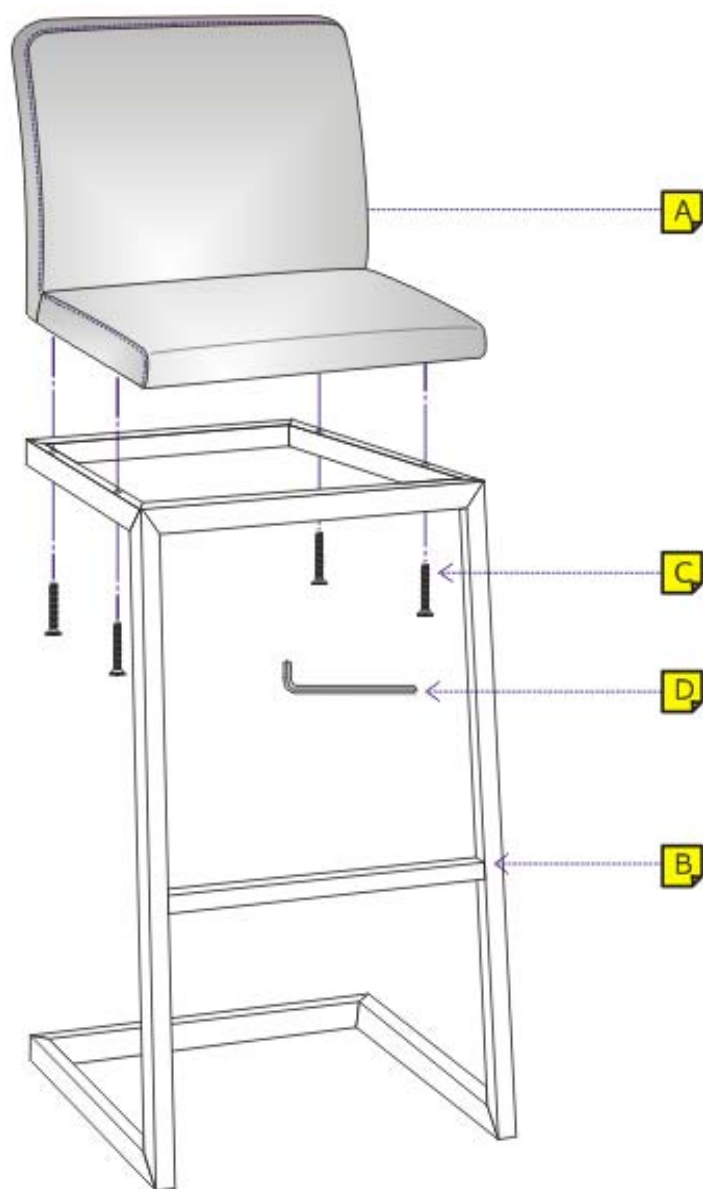
- Assemble on a clean non-marring surface (packing foam)-



- Save all packaging until finished-

# Assembly Steps


## Step 1



As the picture shows. Tighten the screws.

## Care & Maintenance

-  Do not put hot items directly on furniture surface.
-  Do not clean furniture with harsh cleansers or polish.
-  Do not place furniture under direct sunlight.
-  Do not place furniture near heating or cooling vents.
-  Do not write on furniture without a padded barrier to protect the surface.
-  Do not place furniture outside. For indoor use only.
-  Not for commercial use. For residential use only.
-  Stains may be removed with mild soap solution and damp cloth.

- 
-  Dust and pick-up spills using a clean, non-colored, lint-free cloth.