

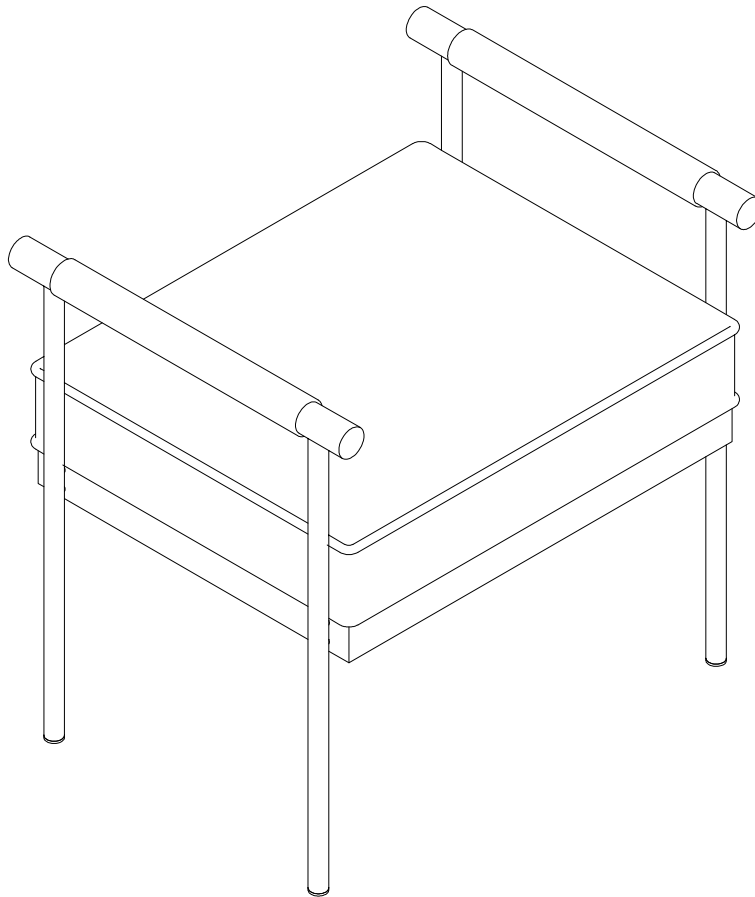
# TOV

**Diva Bench**  
**TOV-OC5510/5511/5512/3714**


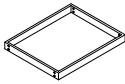
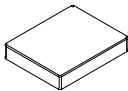
# DIVA

---

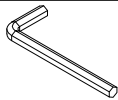
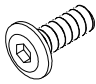

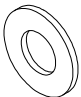
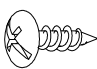
## **ASSEMBLY INSTRUCTIONS**



## PARTS LIST

| LABEL    | PICTURE                                                                           | DESCRIPTION        | QTY      |
|----------|-----------------------------------------------------------------------------------|--------------------|----------|
| <b>A</b> |  | <b>Side Frame</b>  | <b>2</b> |
| <b>B</b> |  | <b>Fixed Frame</b> | <b>1</b> |
| <b>C</b> |  | <b>Seat</b>        | <b>1</b> |

## HARDWARE

| LABEL    | PICTURE                                                                             | DESCRIPTION                   | QTY      |
|----------|-------------------------------------------------------------------------------------|-------------------------------|----------|
| <b>D</b> |   | <b>Allen Key Ø5</b>           | <b>1</b> |
| <b>E</b> |  | <b>Screw M8*30</b>            | <b>8</b> |
| <b>F</b> |  | <b>Spring Washer<br/>Ø8</b>   | <b>8</b> |
| <b>G</b> |  | <b>Washer<br/>Ø(16-8)*1.5</b> | <b>8</b> |
| <b>H</b> |  | <b>Screw M4*16</b>            | <b>4</b> |

### BEFORE BEGINNING ASSEMBLY:



*Read instructions cover to cover*



*Have two adults on hand for assembly*



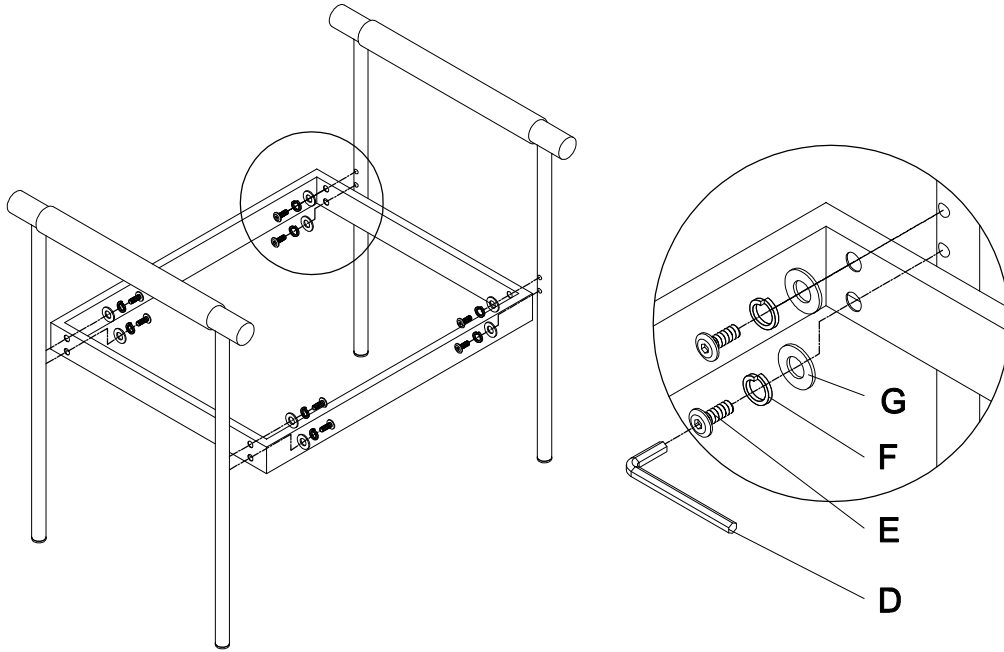
*Do NOT assemble on flooring or carpet. Assemble on a clean non-marring surface (ex: packing foam)*



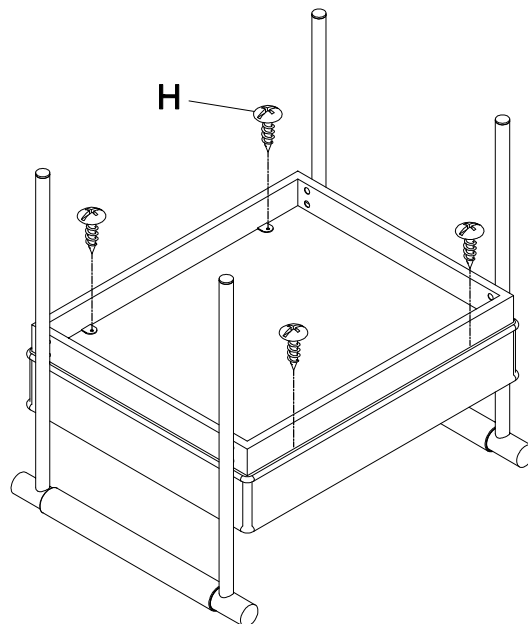
*Save all packaging until assembly is completed*

# ASSEMBLY STEPS

## STEP 1



## STEP 2

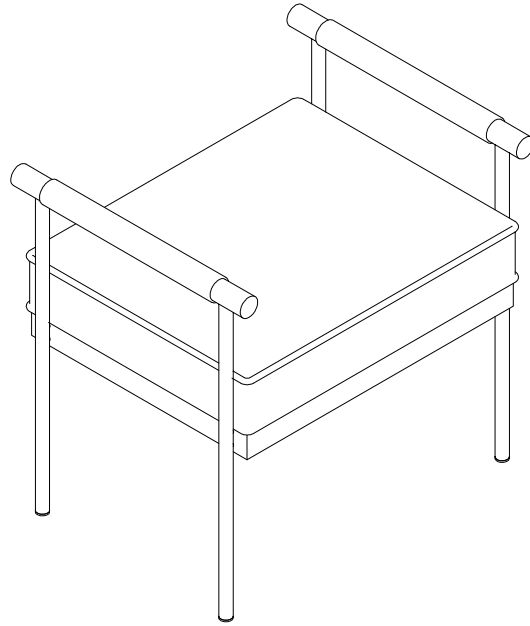


---

## ASSEMBLY STEPS

---

**STEP 3**



---

## CARE & MAINTENANCE

---



**Do not put hot items directly on furniture surface.**



**Do not clean furniture with harsh cleansers or polish.**



**Dust and wipe up spills using a clean, non-colored, lint-free cloth.**



**Stains may be removed with mild soap solution and damp cloth.**



**Do not place furniture under direct sunlight.**



**Do not place furniture near heating or cooling vents.**



**Do not write on furniture without a padded barrier to protect the surface.**



**Do not place furniture outside. For indoor use only.**