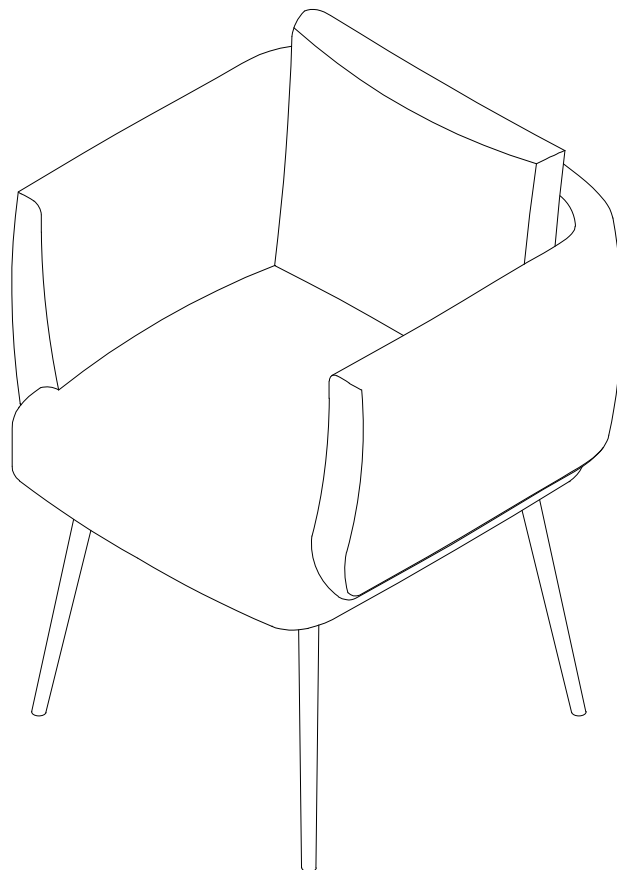


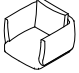


ALTO DINING CHAIR
TOV-D44043/44/45/46

ALTO DINING CHAIR





ASSEMBLY INSTRUCTIONS



PARTS LIST


LABEL	PICTURE	DESCRIPTION	QTY.
A		CHAIR BODY	1
B		LEG	1
C		LEG	1


HARDWARE


LABEL	PICTURE	DESCRIPTION	QTY.
①		Bolts M6x20	9
②		Spring washer	9
③		Washers M6	9
④		Allen key K4	1

BEFORE BEGINNING ASSEMBLY :

Read instructions cover to cover

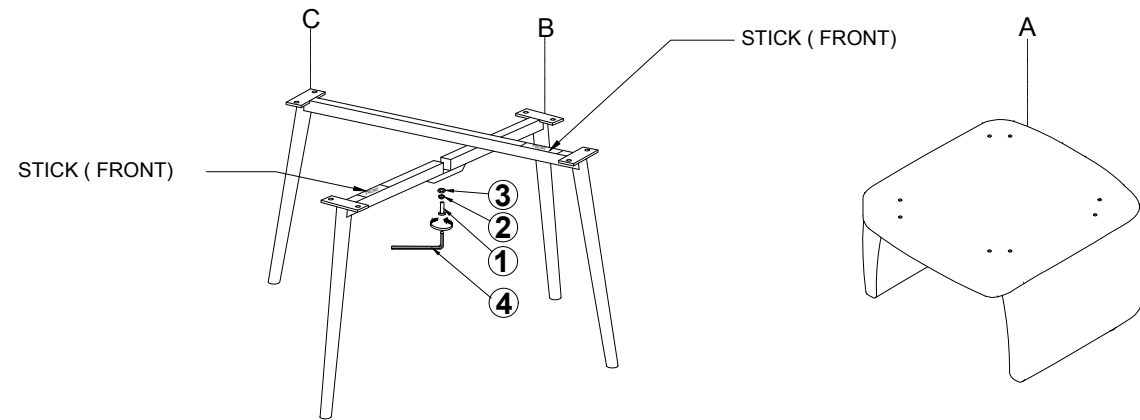
 *Have two adults on hand for assembly*

 *Do NOT assemble on flooring or carpet. Assemble on a clean non-marring surface (ex: packing foam)*

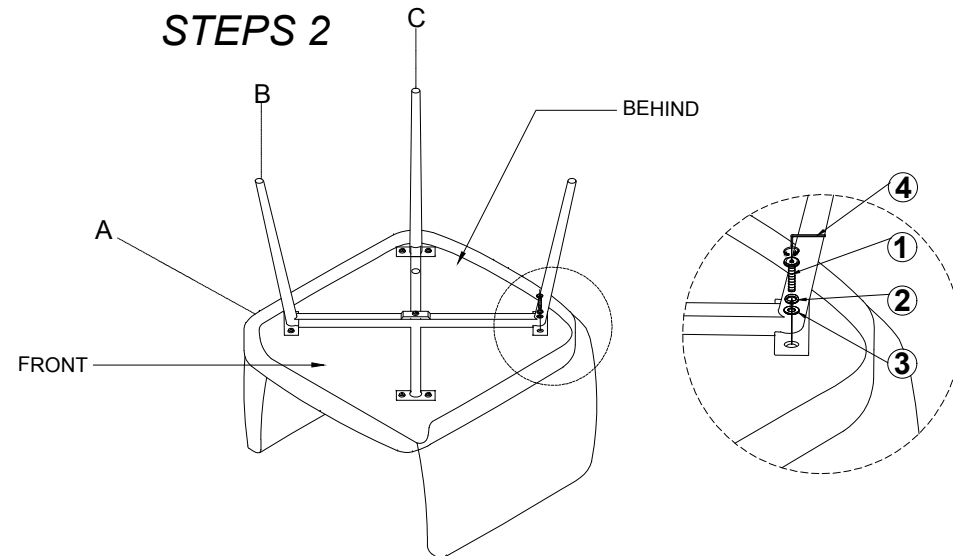
 *Save all packaging until assembly is completed*

ASSEMBLY STEPS

STEPS 1



STEPS 2



> Position the legs on the platform as shown.

Keep the bolts loosen while setup and tight all the bolts until the 4 legs have already in place.

Dust and wipe up spills using a clean, non- colored, lint-free cloth.

Do not place furniture near heating or cooling vents.

Do not place furniture outside, for indoor use only.

Advise dry-cleaning only.

In case of stains , use a clean towel with some warm water.

Chemicals are not advised.