

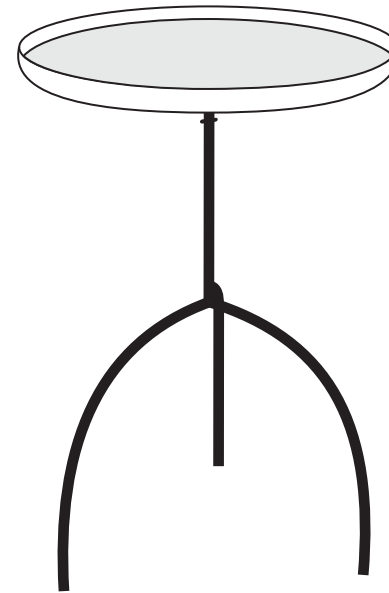
CARE AND MAINTENANCE

1. Do not use acids or alkaline cleaning agents.
2. Sharp objects will damage and scratch the surface.
3. Wipe the surface with a soft, damp cloth.
4. Please make sure that you have all parts indicated before you begin assembly of this item.
5. This item should be assembled on a soft surface to prevent scratching the finish during assembly.
6. This item may require periodic tightening.



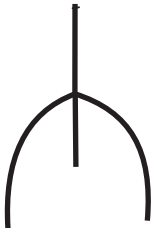
ENAMEL BLACK/GREEN ACCENT TABLE
TOV-OC18221

TOV

ENAMEL BLACK/GREEN ACCENT TABLE ASSEMBLY INSTRUCTIONS

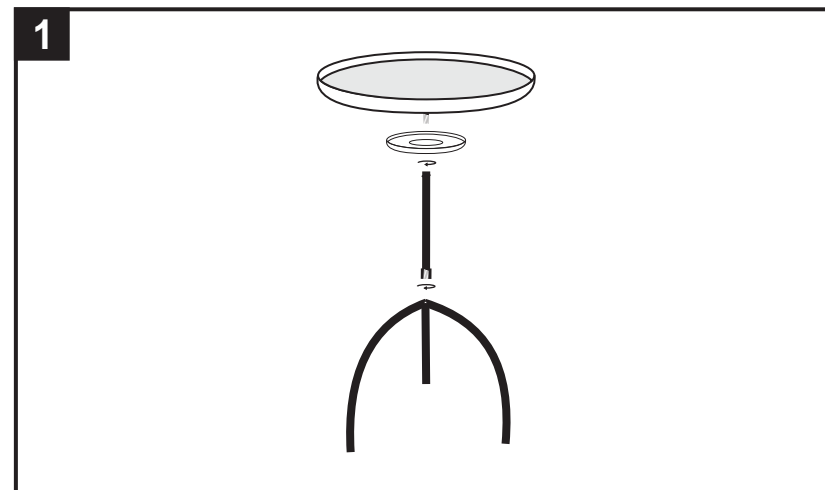


Part List and Hardware List

PART	DESCRIPTION	PICTURE	QUANTITY
A	Metal Table Top		1x
B	Center Plate		1x
C	Table Base		1x

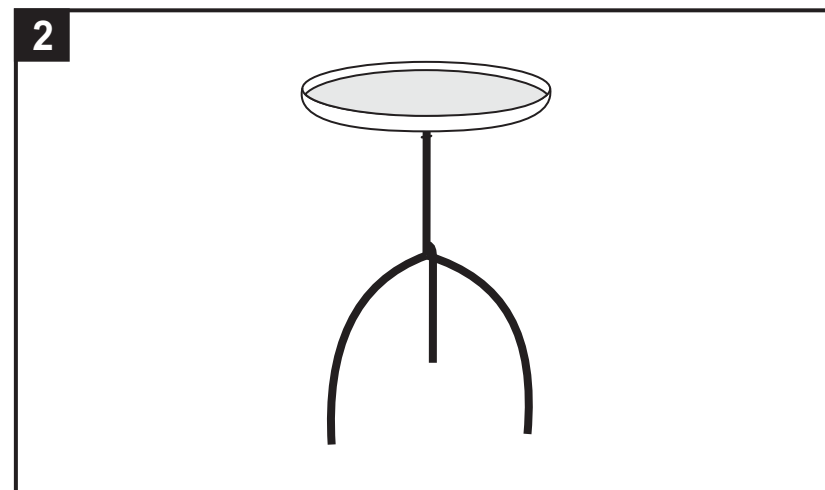
PREPARATION

Before beginning assembly of product make sure all parts are present
 Compare parts with package contents list or hardware contents list
 if any part in missing or damage, do not attempt to assemble the product.
 Estimated Assembly Time : 5 minutes



Step - 1

Insert Metal Table Top (A) insert center plate (B) and Table Base (C).



Step - 2

Table is ready for use